

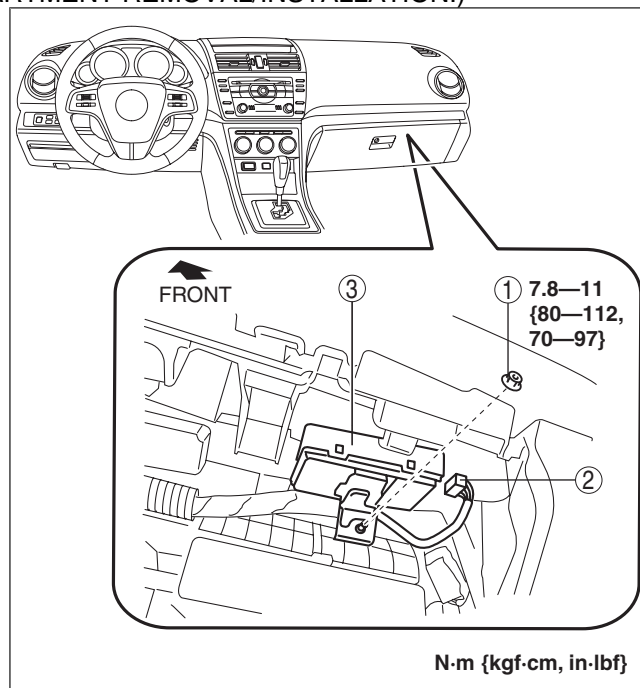
## HANDS-FREE TELEPHONE (HF/TEL) UNIT REMOVAL/INSTALLATION

id092000807100

1. Disconnect the negative battery cable.
2. Remove the glove compartment. (See GLOVE COMPARTMENT REMOVAL/INSTALLATION.)
3. Remove in the order indicated in the table.

1	Nut
2	Connector
3	HF/TEL unit

4. Install in the reverse order of removal.



am6zzw00000197