

09 002/05 2003 2004 Mazda6 Front Turn Signals Inoperative

[Report a problem with this article](#)

TSB: 09-002/05

2003 - 2004 MAZDA6 - FRONT TURN SIGNALS INOPERATIVE

BULLETIN NOTE

This bulletin supersedes the last issued bulletin on 01/20/05. The WARRANTY INFORMATION has been revised.

APPLICABLE MODEL(S)/VINS

2003 - 2004 Mazda6 vehicles built before Aug. 6, 2004

DESCRIPTION

The left and/or right front turn signals are inoperative, and the turn signal indicator light in the dash may flash rapidly (approximately twice as fast as normal).

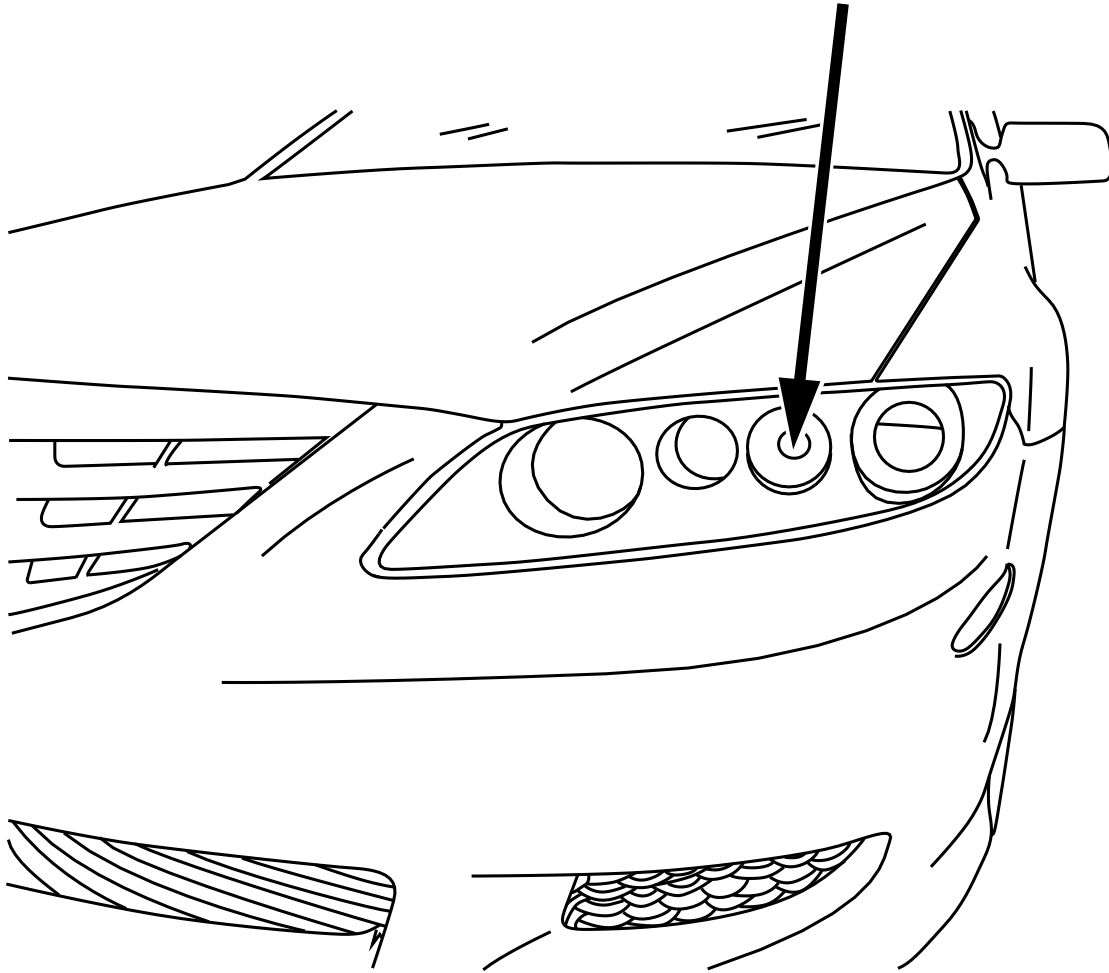
Customers having this concern should have their vehicle repaired using the following repair procedure.

REPAIR PROCEDURE

1. Verify customer concern.



TURN SIGNAL LIGHT

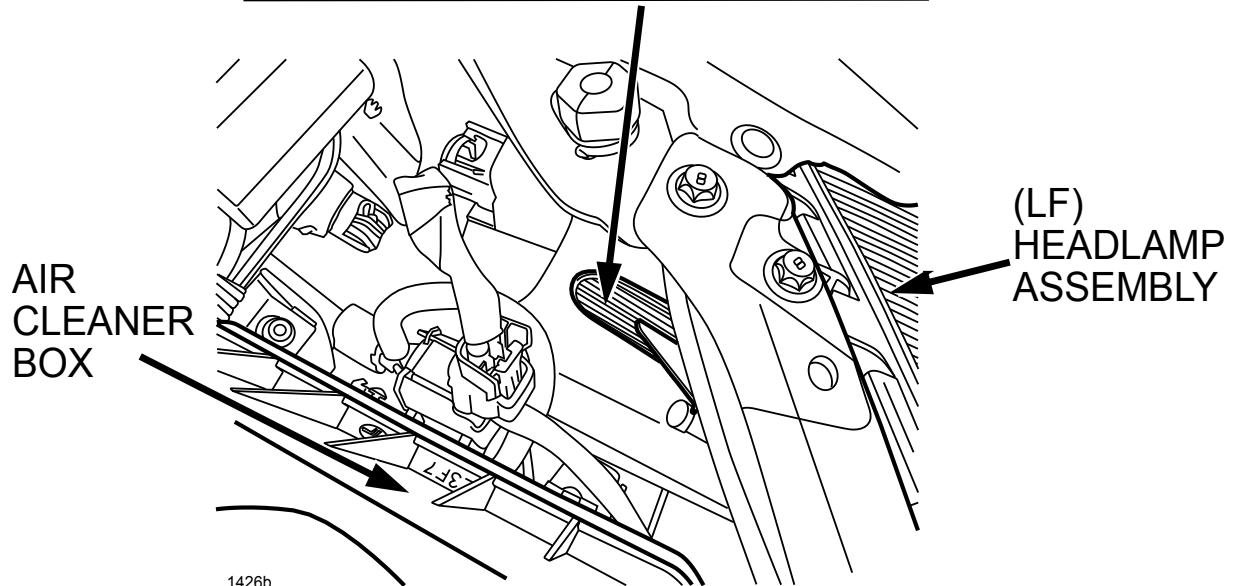


1426a

2. Locate large plastic tab on turn signal bulb socket.



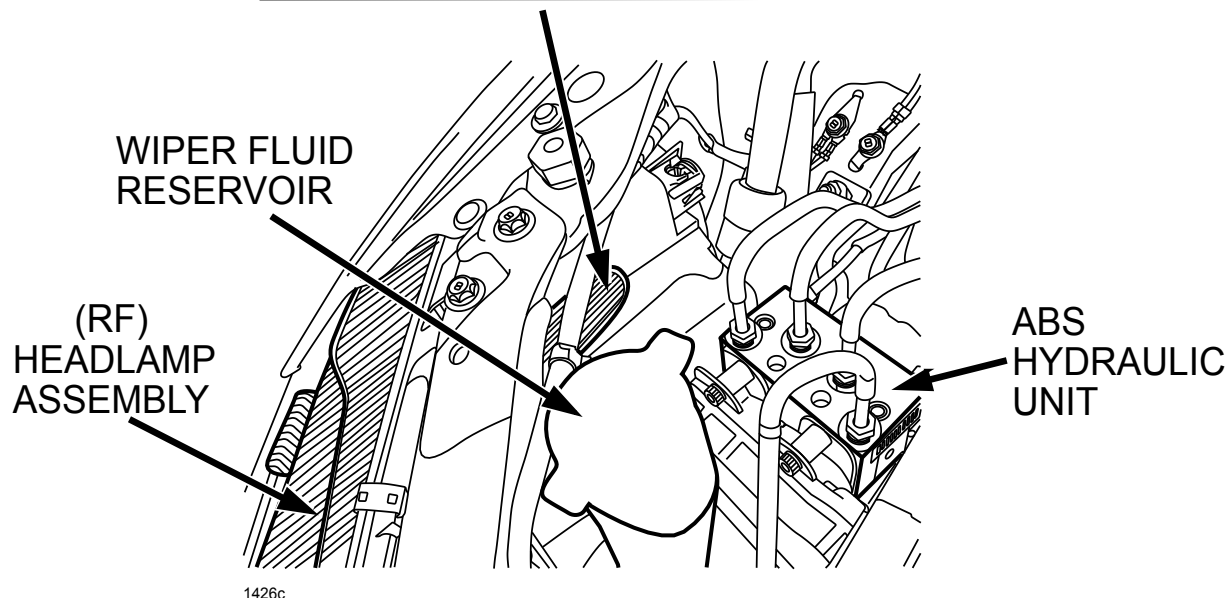
LF TURN SIGNAL BULB SOCKET TAB



1426b



RF TURN SIGNAL BULB SOCKET TAB



1426c

3. Grasp plastic tab and rotate 1/4 turn counterclockwise.

4. Pull turn signal bulb socket assembly outward and remove from headlamp assembly.

NOTE: Turn signal bulb socket has an "air tight" fit. It may require extra effort to pull socket assembly outward.

CAUTION: Avoid touching light bulb with bare hands. Oil from hands and fingers may reduce bulb durability.

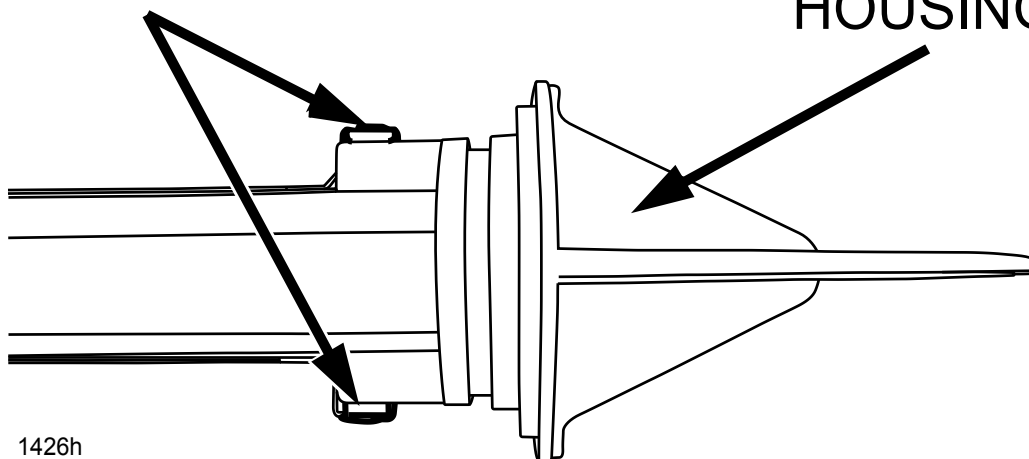
5. Obtain two (2) 1/8" x 5/16" silicon spacers supplied in the kit.

NOTE: A silicon spacer will be inserted under both electrical terminals on turn signal bulb socket housing to keep tension on terminals.



ELECTRICAL TERMINAL

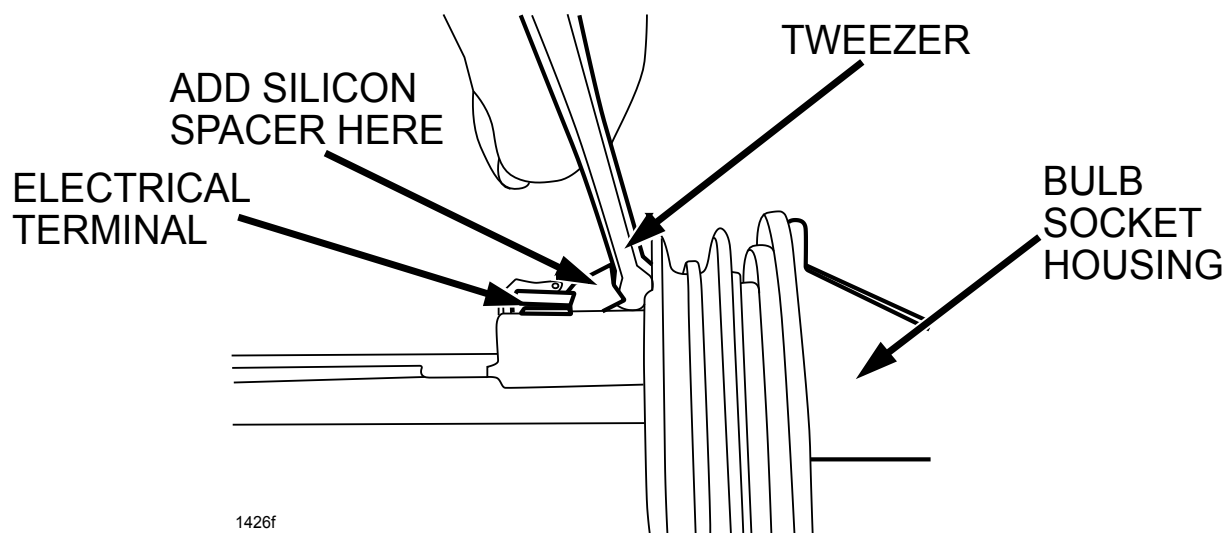
BULB SOCKET HOUSING



1426h

6. Using tweezers or equivalent tool, insert a silicon spacer between bulb socket housing and each electrical terminal.

CAUTION: When inserting silicon spacers, do not bend or over-expand electrical terminals.



7. Slide both silicon spacers under electrical terminals.

8. Reinstall turn signal bulb socket into headlamp assembly.

CAUTION: When reinstalling turn signal bulb socket, note orientation. Socket can only be installed one way. If installed incorrectly, damage to housing and/or contacts may occur.

9. Repeat Steps 1 - 8 for other side turn signal bulb socket assembly.

10. Verify repair.

PART(S) INFORMATION

Part Number	Description	Qty.	Notes
GKYA-51-2NX	Silicon Spacer Kit	1	Each kit includes forty (40) silicon spacers. Four (4) spacers are needed per vehicle repair.

WARRANTY INFORMATION

NOTE:

- This warranty information applies only to verified customer complaints on vehicles eligible for warranty repair. Refer to the Warranty Wizard for warranty term information.
- Additional diagnostic time cannot be claimed for this repair.

Warranty Type	A
Symptom Code	61

Damage Code	97
Part Number Main Cause	5555-05-001A
Quantity	1
Operation Number / Labor Hours:	XXB038RX / 0.2 Hrs (includes both left and right sides)

NOTE: Part number 5555-05-001A will reimburse the correct parts amount for the repair of a single vehicle. Part number GKYA-51-2NX will not be accepted by Warranty.