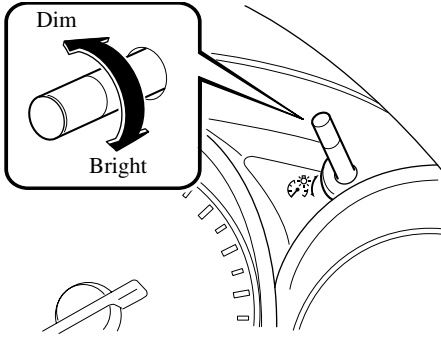


# Instrument Cluster and Display



## Canceling the illumination dimmer

When the headlight switch is in the  $\Rightarrow 0 \Leftarrow$  or  $\equiv \Delta$  position, the illumination of the instrument cluster dims.

When driving on snowy or foggy roads, or in other situations when the instrument cluster's visibility is reduced due to glare from surrounding brightness, cancel the illumination dimmer and increase the illumination intensity.

To cancel the illumination dimmer, rotate the knob clockwise fully. You will hear a beep sound and the illumination dimmer will be cancelled.

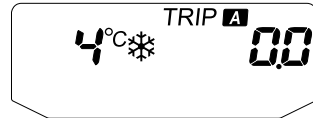
## NOTE

- This symbol (☼) indicates the knob to adjust the brightness of the instrument panel illumination.
- If the instrument panel illumination knob is kept at the illumination dimmer cancel position, the instrument cluster will not dim when the headlight switch is turned to the  $\Rightarrow 0 \Leftarrow$  or  $\equiv \Delta$  position again. Rotate the instrument panel illumination knob anticlockwise to activate the illumination dimmer.

## ▼ Outside Temperature Display

When the ignition is switched ON, the outside temperature is displayed.

### Type A



### Type B

