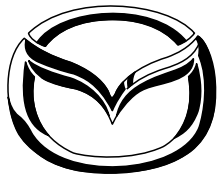


Mazda

**FITTING INSTRUCTIONS FOR
MAZDA TRIBUTE
TRAILER HARNESS
Part No. YU01-TB-PLUGF7**

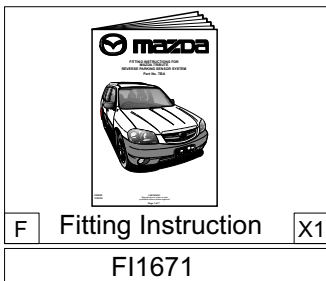
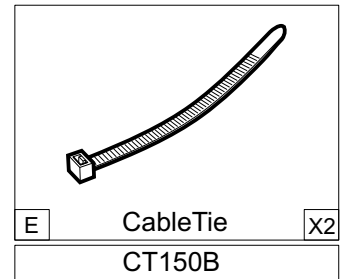
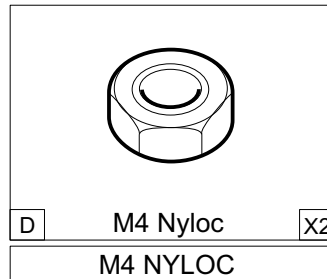
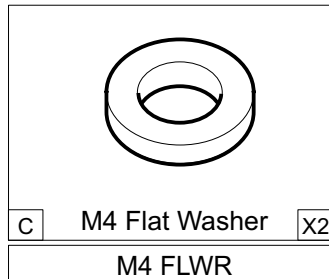
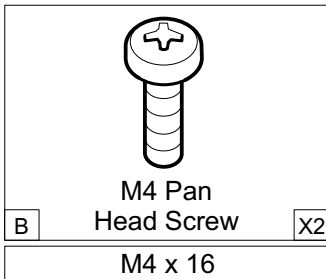
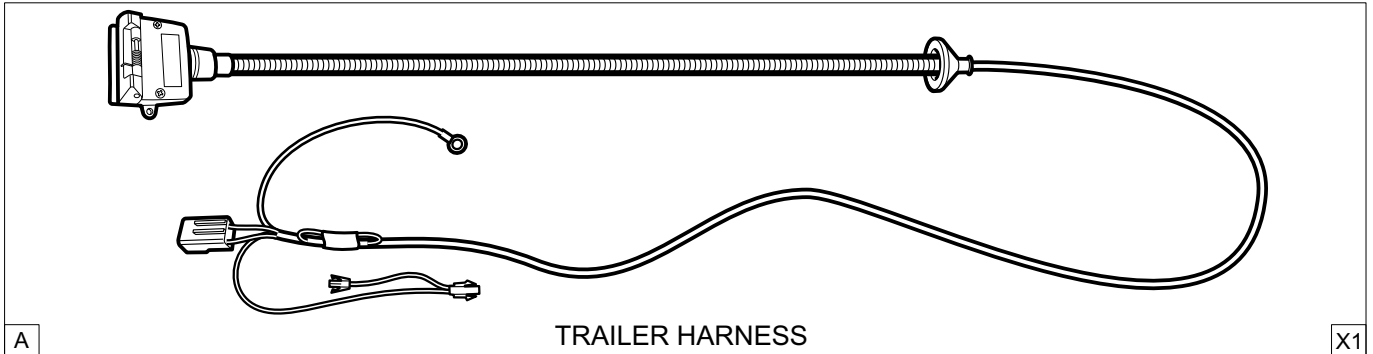




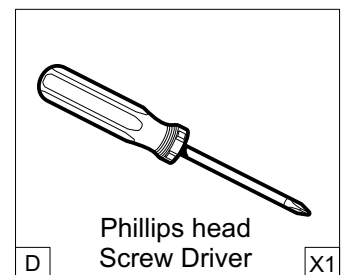
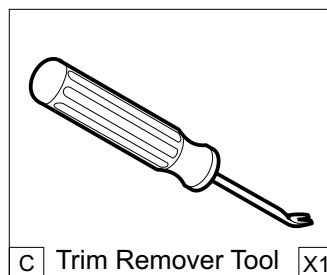
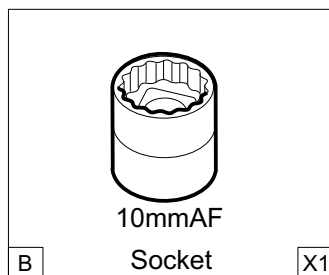
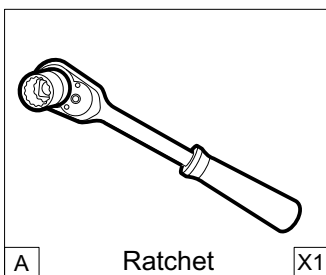
Mazda

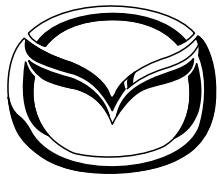
FITTING INSTRUCTIONS FOR MAZDA TRIBUTE TRAILER HARNESS

PARTS SUPPLIED



TOOLS & MATERIALS REQUIRED





Mazda

FITTING INSTRUCTIONS FOR MAZDA TRIBUTE TRAILER HARNESS

FITTING INSTRUCTIONS:

1. Remove the luggage compartment sun shade cover (1) and then fold the rear seats (2) forward. Refer to Figure 1.

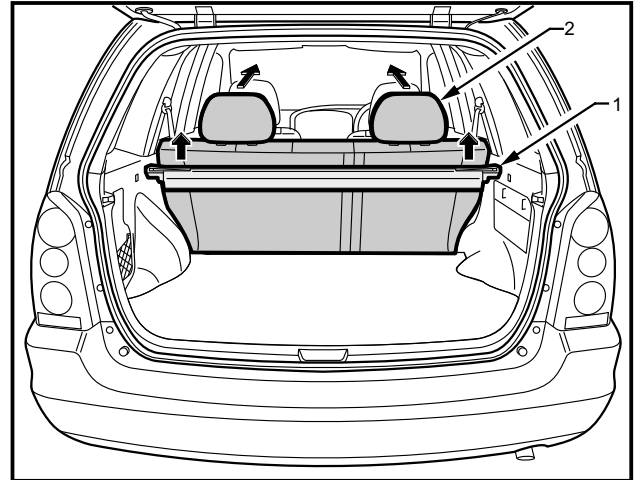


FIGURE 1

2. Release the fir tree clips (1) from the spare wheel cover (2). Then lift and remove the spare wheel cover from the vehicle. Refer to Figure 2.

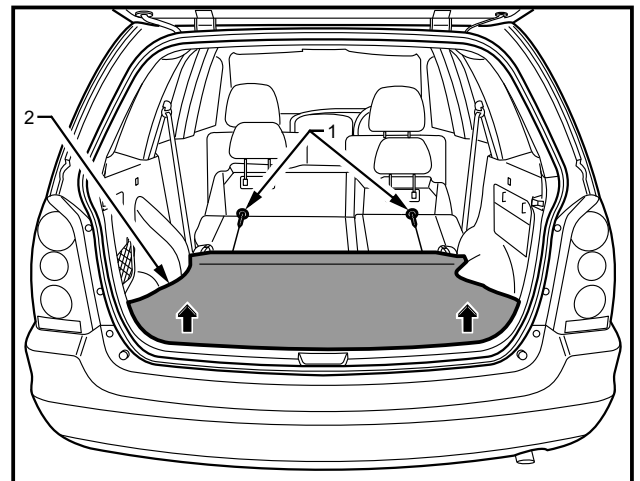


FIGURE 2

3. Remove the spare wheel plastic tray by releasing the fastener and the lift and remove the tray from the vehicle. Refer to Figure 3.

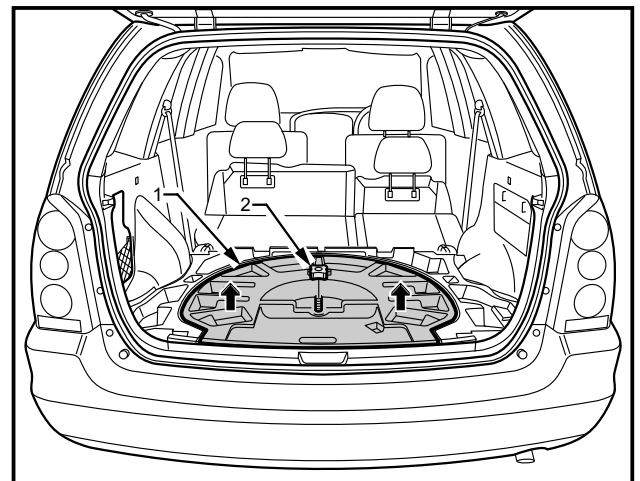
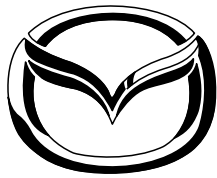


FIGURE 3



Mazda

FITTING INSTRUCTIONS FOR MAZDA TRIBUTE TRAILER HARNESS

FITTING INSTRUCTIONS: - continued...

4. Remove the LHS plastic floor tray (1) by releasing the 2 fasteners (2) and the clip (3) then lift and remove the tray from the vehicle. Refer to Figure 4.

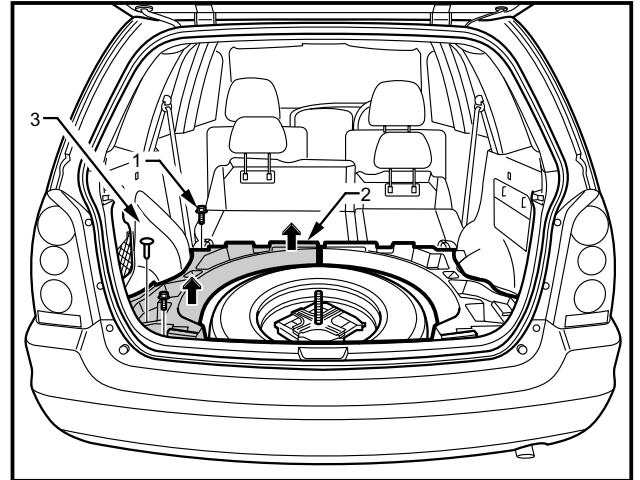


FIGURE 4

5. Remove the rear trim (1) by carefully pulling upwards to release the clips attached to the underside of the trim. Refer to Figure 5.

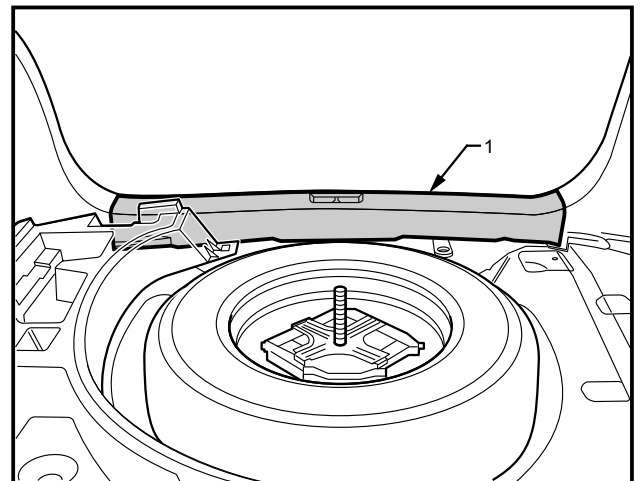


FIGURE 5

6. Remove the LHS door sill trim (1) by releasing the fastener (2) then pull upwards to release the clips attached to the underside of the trim. Refer to Figure 6.

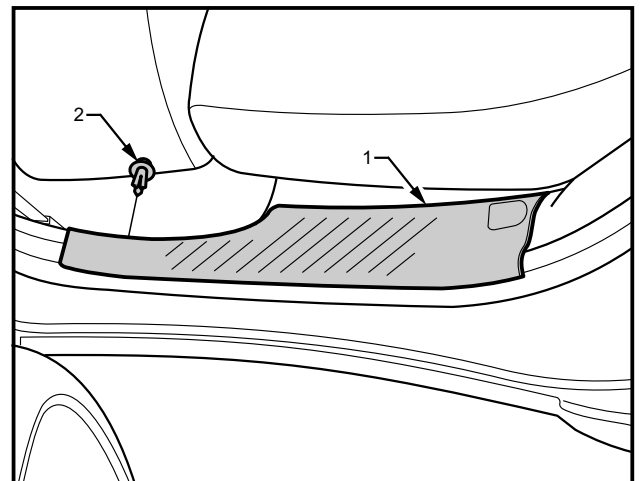
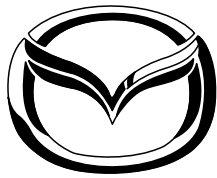


FIGURE 6



Mazda

FITTING INSTRUCTIONS FOR MAZDA TRIBUTE TRAILER HARNESS

FITTING INSTRUCTIONS: - continued...

7. Release the LHS luggage compartment trim (1) by releasing the screw (2) and the clip (3.) Refer to Figure 7.

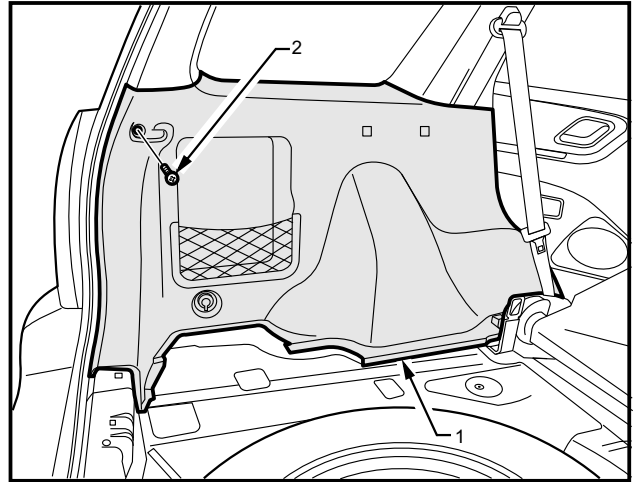


FIGURE 7

8. Before removing the LHS luggage compartment trim (1) slightly pull away the trim to access the cigar lighter connector (2) and disconnect. Then remove the trim from the vehicle. Refer to Figure 8.

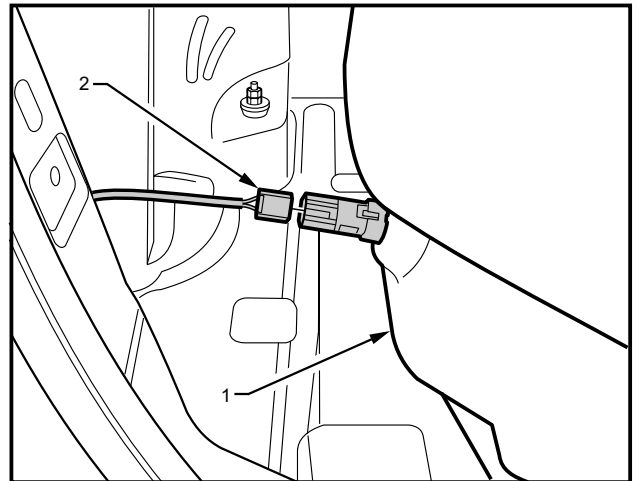


FIGURE 8

9. Remove the grommet (1) at the rear end of the vehicle as shown. Refer to Figure 9.

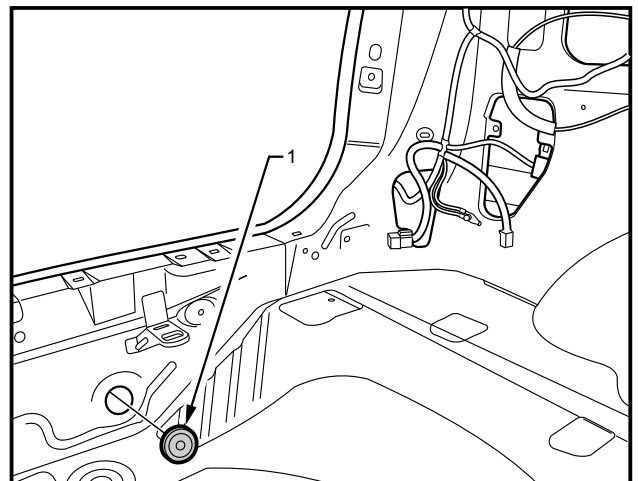
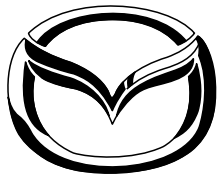


FIGURE 9



Mazda

FITTING INSTRUCTIONS FOR MAZDA TRIBUTE TRAILER HARNESS

FITTING INSTRUCTIONS: - continued...

10. Feed the trailer harness (1) up behind the rear bumper cover (2) through the grommet hole (3) into the rear luggage compartment as shown. Refer to Figure 10.

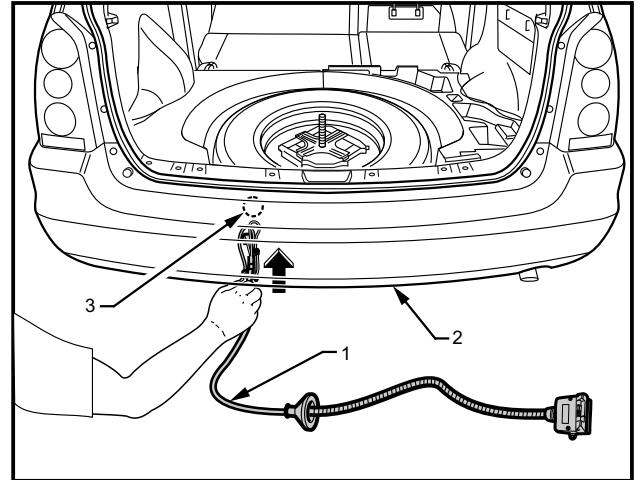


FIGURE 10

11. Pull the trailer harness (1) all the way through until the trailer harness grommet (2) is secure in place. Ensure a good seal has been made. Connect the trailer harness connector (3) to the vehicle harness connector (4). Then release the earth bolt (5) and fit the trailer harness earth wire (6) and secure back with the earth bolt. Refer to Figure 11.

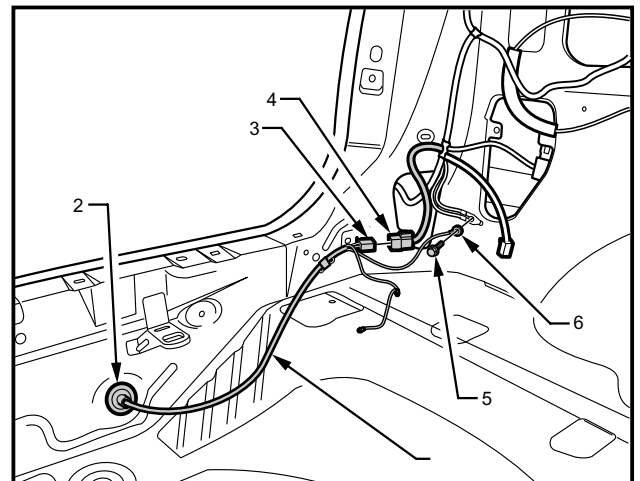


FIGURE 11

12. From underneath the rear bumper cover (1) secure the trailer harness socket (2) to the towbar (3) using the supplied fastener (4). Refer to Figure 12

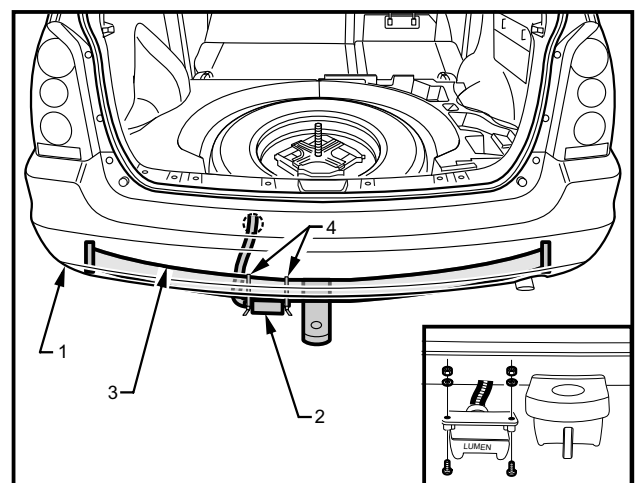


FIGURE 12



MAZDA

FITTING INSTRUCTIONS FOR MAZDA TRIBUTE TRAILER HARNESS

FITTING INSTRUCTIONS: - continued...

13. Test the operation of the trailer socket (1) using a "trailer wiring tester" or a "test light" to ensure the correct operation. Refer to Figure 13.

Important:



Secure all harnesses to the vehicle using the supplied cable ties. Then Refit all removed parts and secure all fasteners to Service Manual torque specifications.

Important:



Please place the fitting instructions in the glove box after installation.

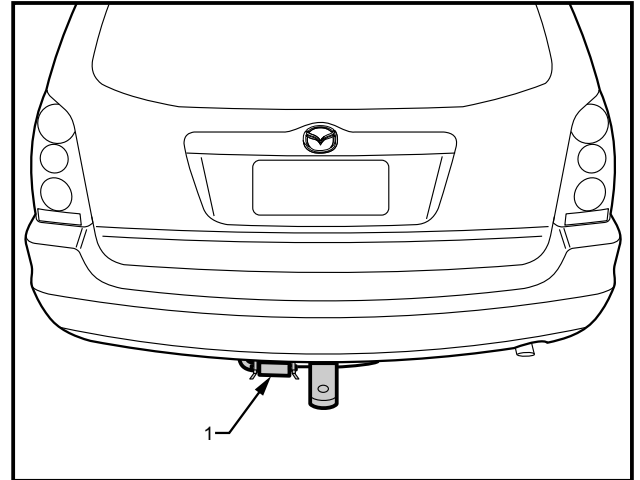


FIGURE 13