

2017 Mazda Truck CX-9 AWD L4-2.5L Turbo (SKYACTIV-G)

Vehicle > Body and Frame > Doors, Hood and Trunk > Doors > Front Door > Front Door Panel > Service and Repair > Removal and Replacement

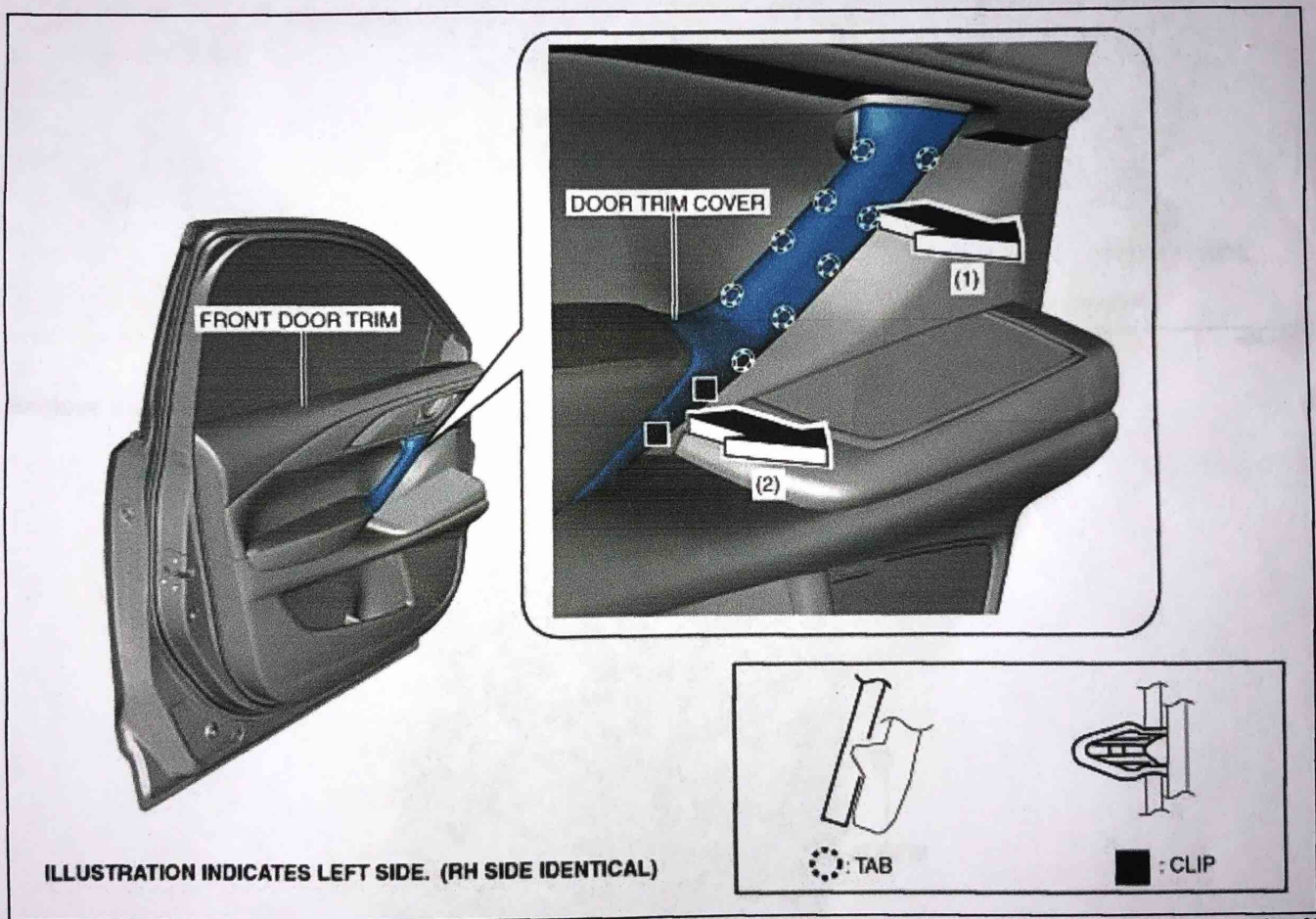
## FRONT DOOR TRIM REMOVAL/INSTALLATION

### FRONT DOOR TRIM REMOVAL/INSTALLATION

SM1242092

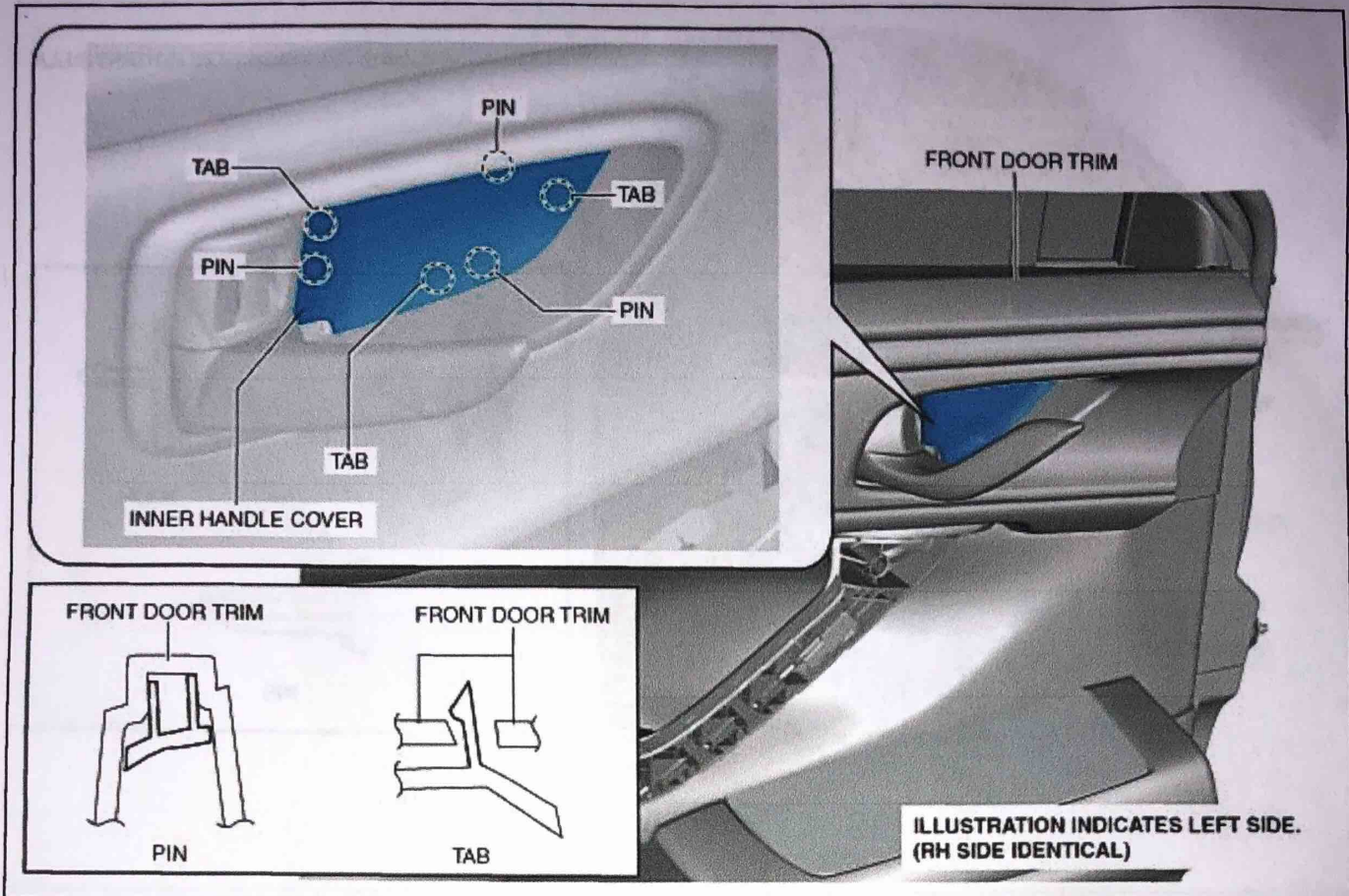
id09170060350

1. Disconnect the negative battery terminal. (See NEGATIVE BATTERY TERMINAL DISCONNECTION/CONNECTION .)
2. Remove the door trim cover in the direction of the arrow in the order of (1), (2) while detaching the tabs, clips.



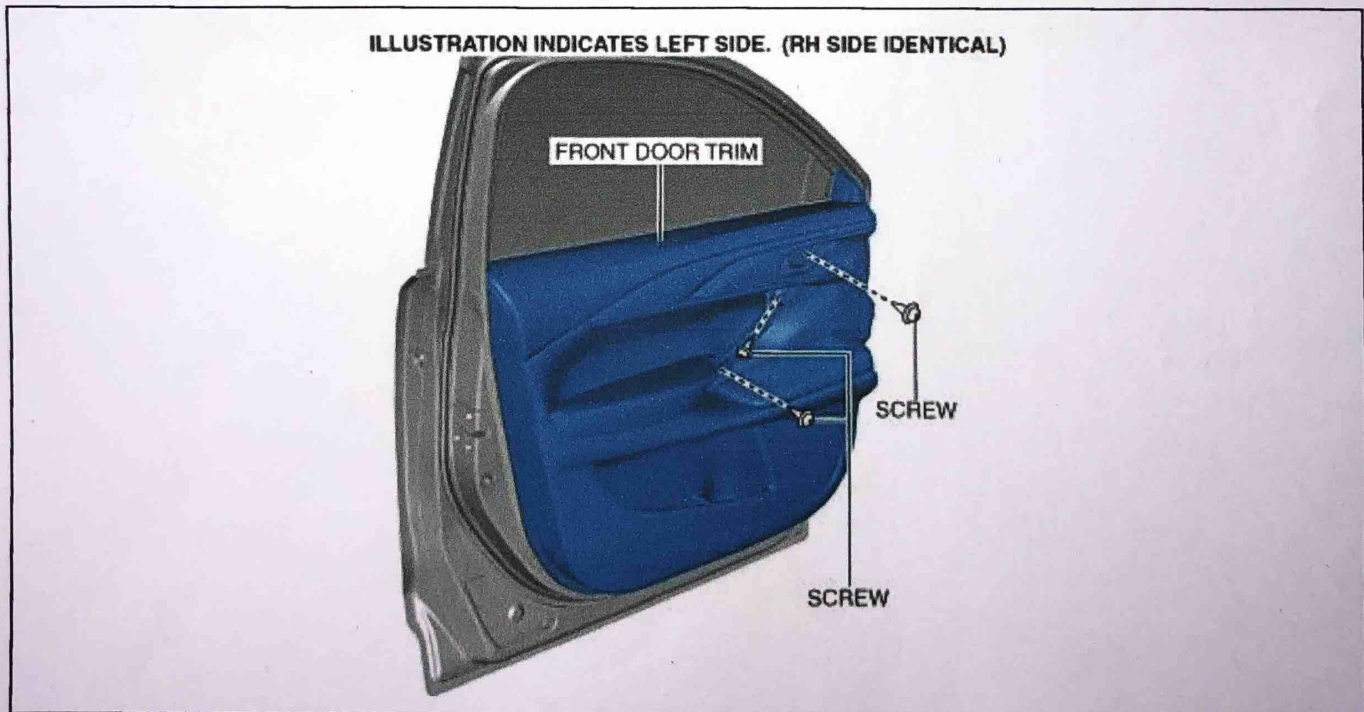
ac9uuw00005998

3. Remove the inner handle cover while detaching the tabs, pins.



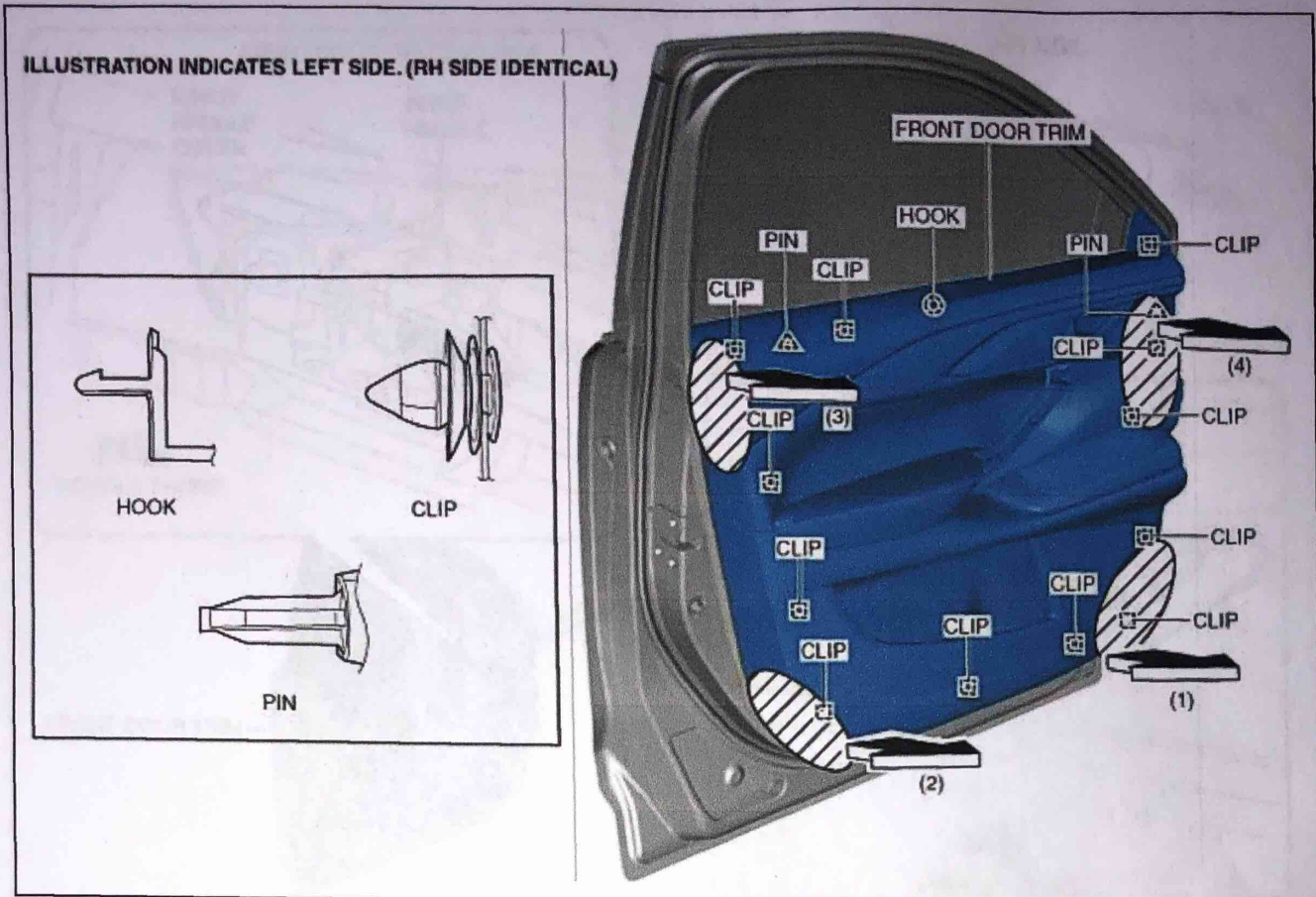
ac9uuw00005571

4.Remove the screws.



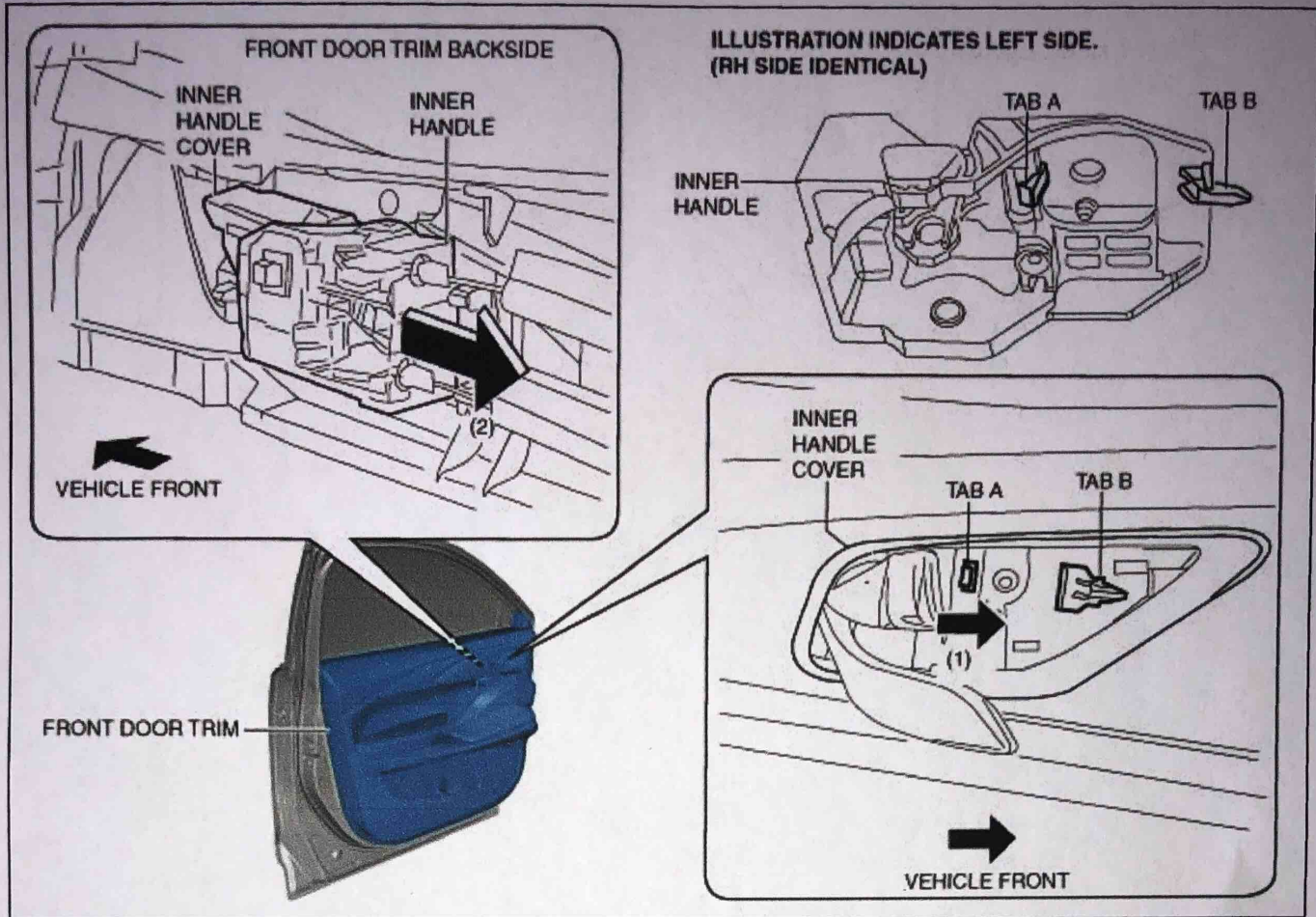
ac9uuw00005572

5. Grasp the shaded areas shown in the figure, and pull the front door trim in the direction of the arrow in the order of (1), (2), (3), (4) while detaching the clips, hook and pins.



ac9uuw00005573

6. Remove tab A in the direction of arrow (1) shown in the figure.



ac9uuw00005574

7. Remove the inner handle in the direction of arrow (2) shown in the figure while detaching tab B.
8. Disconnect the power window main switch connector (driver-side) or power window subswitch connector (passenger-side)
9. Install in the reverse order of removal.