

TCM REMOVAL/INSTALLATION [FS5A-EL]

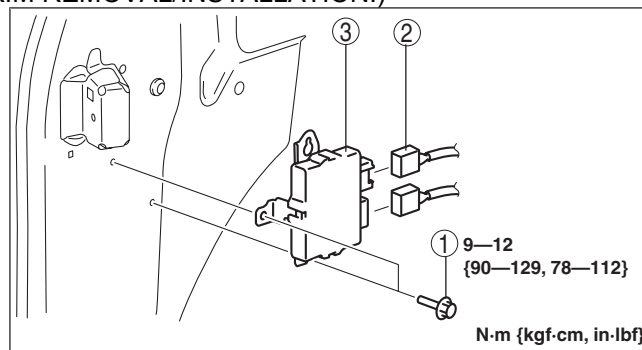
id051721294000

L.H.D.

1. Disconnect the negative battery cable.
2. Remove the dashboard under cover (LH). (See DASHBOARD UNDER COVER REMOVAL/INSTALLATION.)
3. Remove the front scuff plate (LH). (See FRONT SCUFF PLATE REMOVAL/INSTALLATION.)
4. Remove the front side trim (LH). (See FRONT SIDE TRIM REMOVAL/INSTALLATION.)
5. Remove in the order indicated in the table.

1	TCM installation bolts
2	Connector
3	TCM (See TCM Removal Note.)

6. Install in the reverse order of removal.

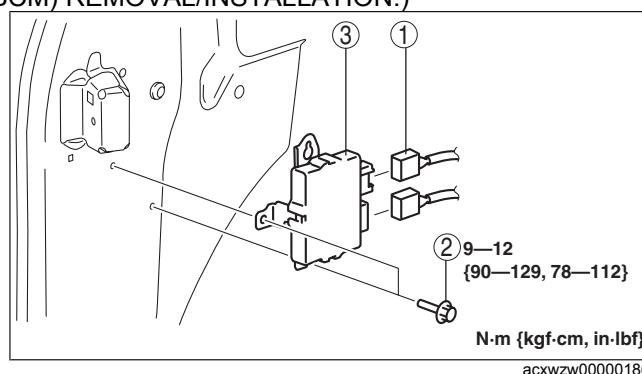


R.H.D.

1. Disconnect the negative battery cable.
2. Remove the dashboard under cover (LH). (See DASHBOARD UNDER COVER REMOVAL/INSTALLATION.)
3. Remove the front scuff plate (LH). (See FRONT SCUFF PLATE REMOVAL/INSTALLATION.)
4. Remove the front side trim (LH). (See FRONT SIDE TRIM REMOVAL/INSTALLATION.)
5. Remove the glove compartment. (See GLOVE COMPARTMENT REMOVAL/INSTALLATION.)
6. Remove the BCM. (See BODY CONTROL MODULE (BCM) REMOVAL/INSTALLATION.)
7. Remove in the order indicated in the table.

1	Connector
2	TCM installation bolts
3	TCM (See TCM Removal Note.)

8. Install in the reverse order of removal.



TCM Removal Note

1. Remove the TCM in the direction of the arrow shown in the figure.

