

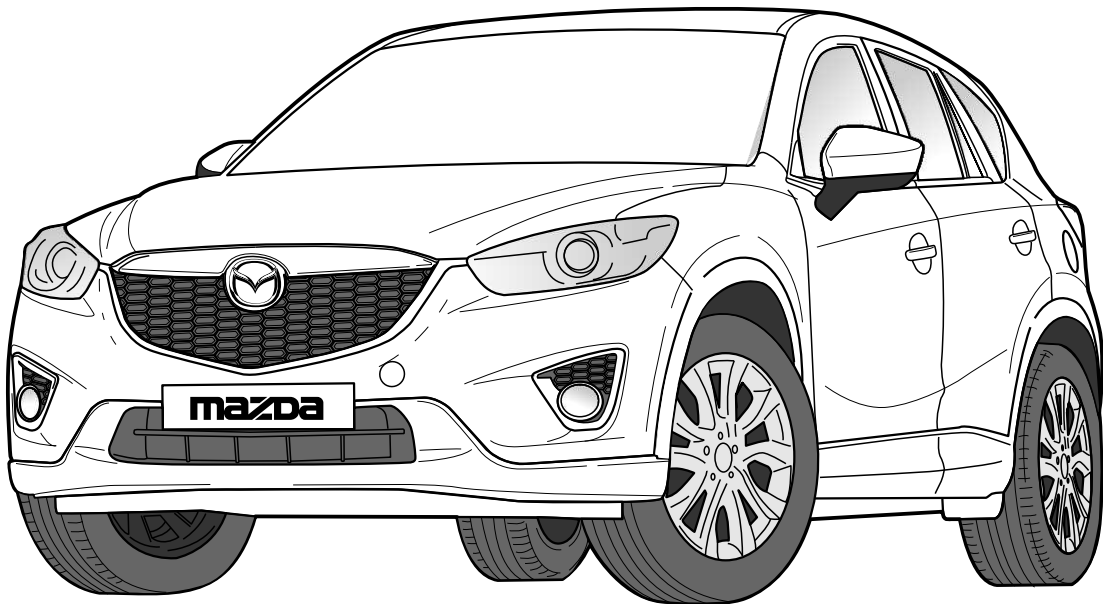


mazda

Mazda CX-5

Kit Part No: KE11TBPLUG

Fitting Time: 45 minutes



Trailer Wiring Harness Fitting Instructions



General Notes

- Read through the fitting instructions before installation of accessory.
- Always install the Mazda Trailer Wiring Harness following the fitting instructions. Failure to do so may cause damage to the vehicle or the accessory.
- Ensure all recyclable components and packaging are discarded and recycled following local recycling regulations.
- It is always recommended that the Mazda Trailer Wiring Harness is fitted by a qualified Mazda Technician.
- Safely store and protect any removed vehicle components.

Safety Notes

- Check that all work practices comply with safety standards.
- Please wear appropriate clothing and use safety equipment.

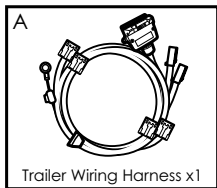


Fitting Time

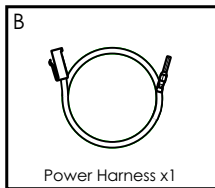


45 minutes

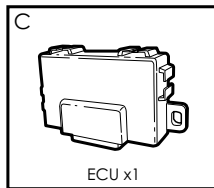
Parts Supplied



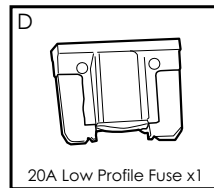
Trailer Wiring Harness x1



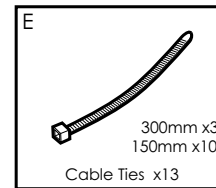
Power Harness x1



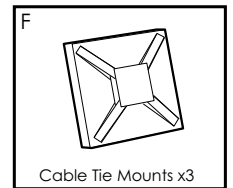
ECU x1



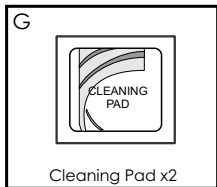
20A Low Profile Fuse x1



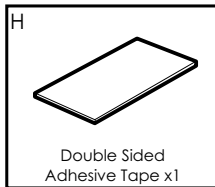
300mm x3
150mm x10
Cable Ties x13



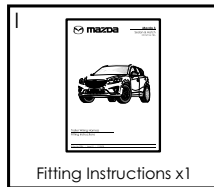
Cable Tie Mounts x3



Cleaning Pad x2



Double Sided
Adhesive Tape x1

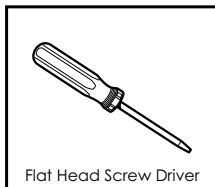


Fitting Instructions x1

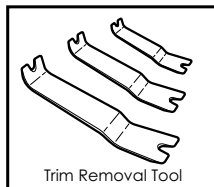
Tools and Materials Required



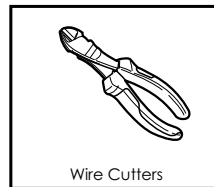
Phillips Head Screw Driver



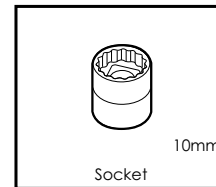
Flat Head Screw Driver



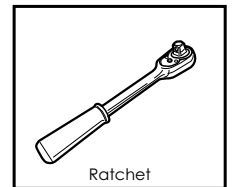
Trim Removal Tool



Wire Cutters



Socket
10mm



Ratchet



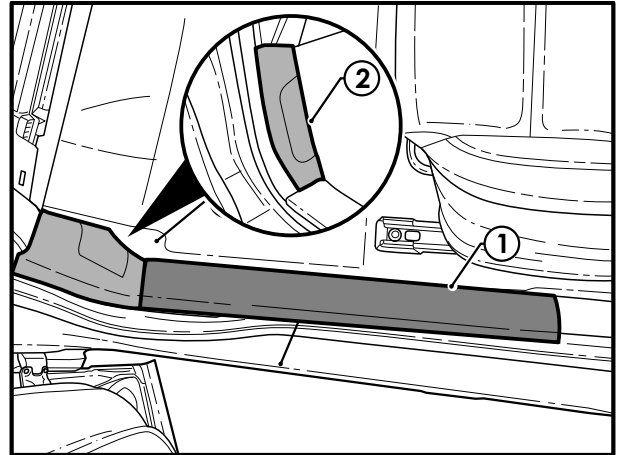
– Step 1

Important



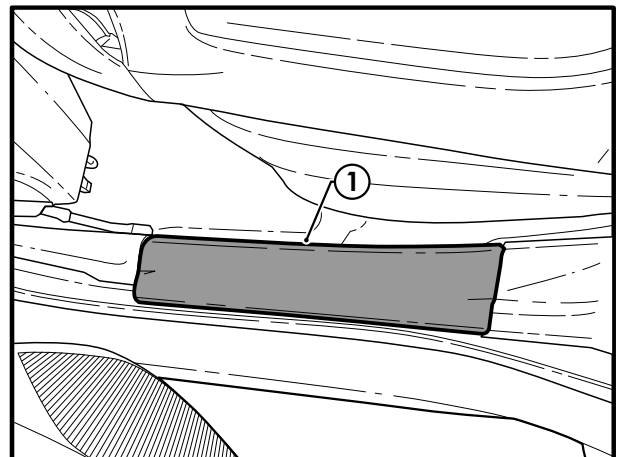
Always refer to the vehicle's Workshop Manual when removing vehicle components.

- Note down all clock and radio settings.
- In the engine bay, disconnect the negative battery terminal.
- Remove the LHS front door sill trim (1).
- Remove the LHS kick panel trim (2).



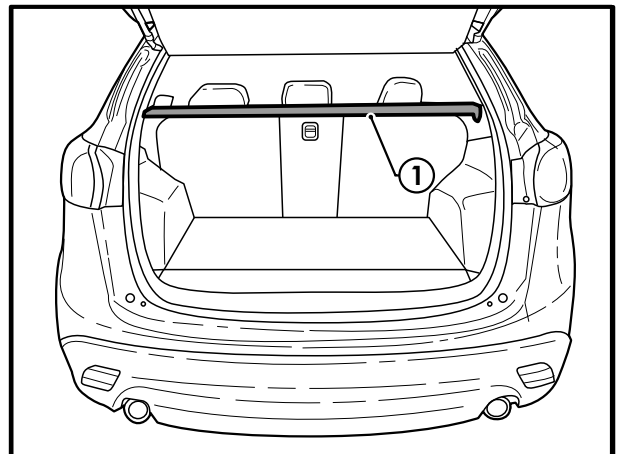
– Step 2

- Remove the LHS rear door sill trim (1).



– Step 3

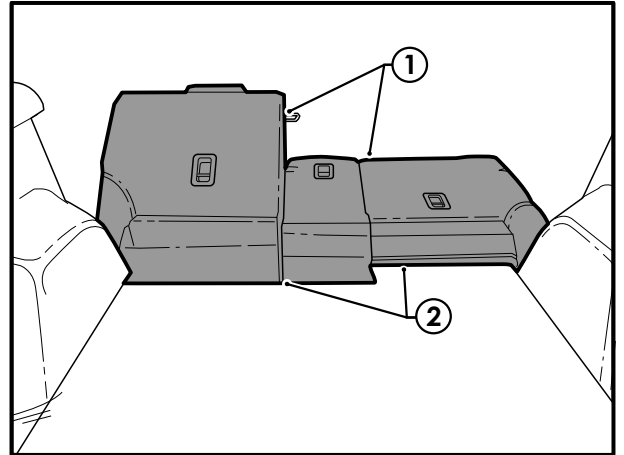
- In the luggage compartment, remove the sunshade (1).





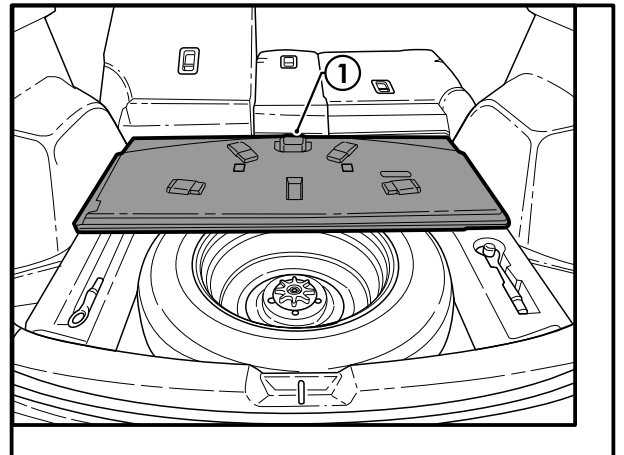
– Step 4

- Fold the rear seats (1) forward and unclip the seat carpet flaps (2).



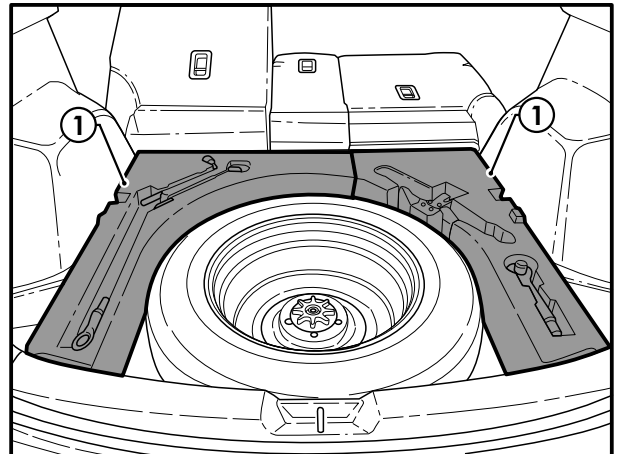
– Step 5

- Fold the rear section of the floor cover carpet (1) forward and remove.



– Step 6

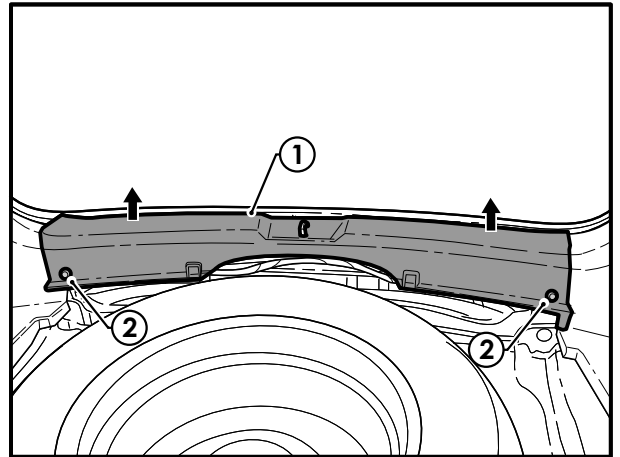
- Remove the LHS & RHS tool trays (1).





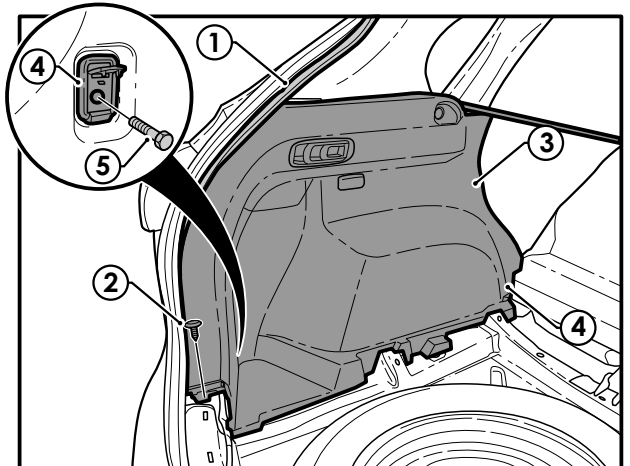
– Step 7

- Remove the rear trim **(1)** by first removing the two clips **(2)** and pulling in an upwards direction.



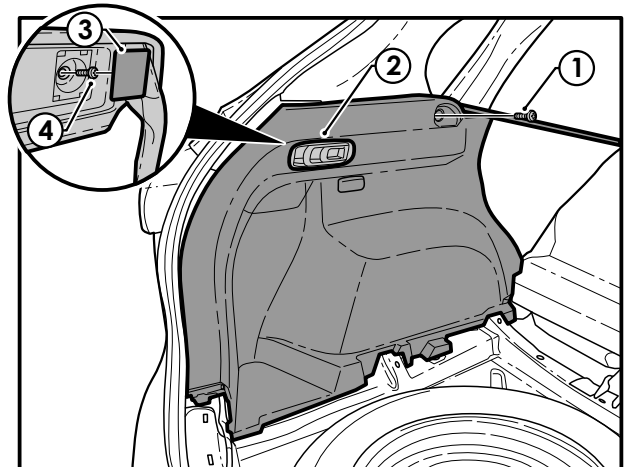
– Step 8

- Dislodge the rubber weather seal **(1)**.
- Remove the clip **(2)** from the LHS luggage compartment trim **(3)**.
- Remove the two cargo hooks **(4)** by lifting the cover and removing the 10mm bolts **(5)**.



– Step 9

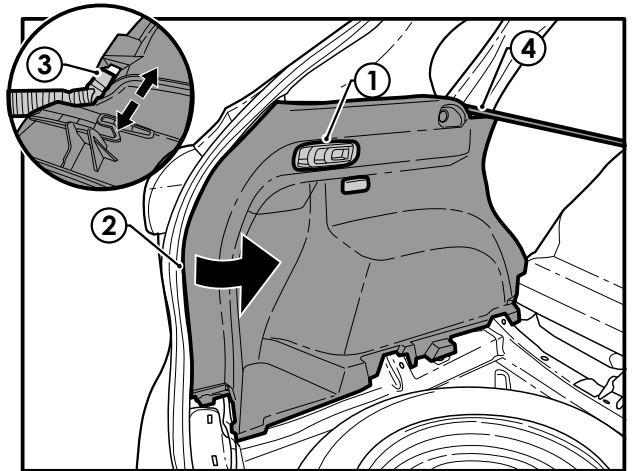
- Remove the upper Phillips head screw **(1)**.
- Lift the rear seat release handle **(2)**, remove the plastic screw cover **(3)** and remove the Phillips head screw **(4)** underneath.





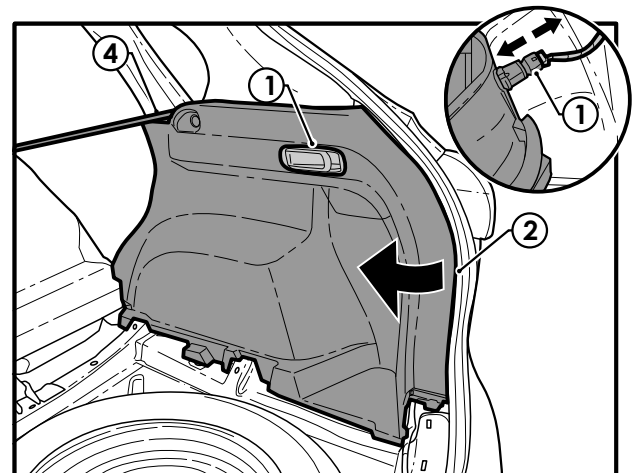
– Step 10

- Dislodge the rear seat release handle (1).
- Dislodge the LHS luggage compartment trim (2) and disconnect the light connector (3).
- Unhook the seat belt (4) from the top of the LHS luggage compartment trim (2).
- Remove the LHS luggage compartment trim (2).



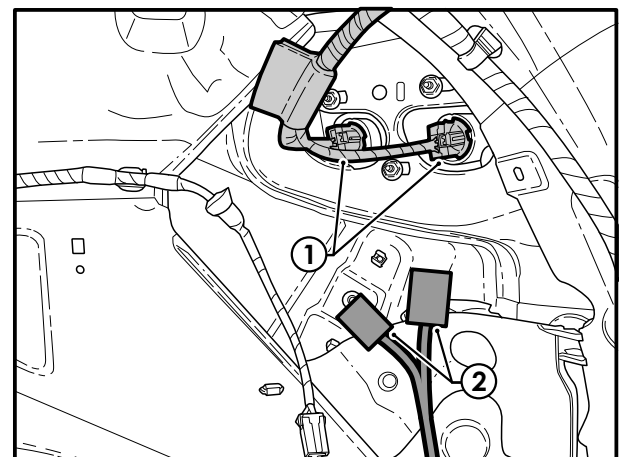
– Step 11

- Dislodge the rear seat release handle (1).
- Dislodge the RHS luggage compartment trim (2) and disconnect the 12v accessory connector (3).
- Unhook the seat belt (4) from the top of the RHS luggage compartment trim (2).
- Remove the RHS luggage compartment trim (2).



– Step 12

- Disconnect the RHS vehicle tail lamp connectors (1) and patch in the trailer wiring harness mating patch connectors (2).





– Step 13

- Connect the trailer wiring harness ECU 12-way connector (1) to the ECU (2).
- Using a supplied cleaning pad (3), clean the back of the ECU (2) and the area on the sheet metal (4) where the ECU (2) will be mounted.

Important



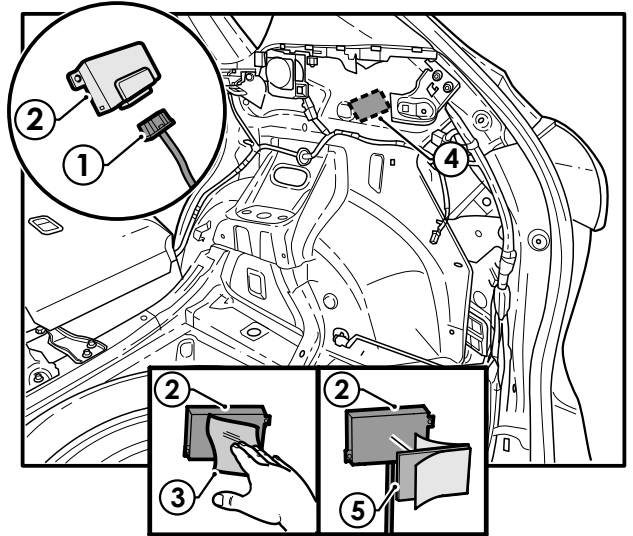
Allow the area cleaned with the supplied cleaning pad to dry before proceeding.

- Adhere the supplied double sided tape (5) onto the ECU (2).
- Secure the ECU (2) to the previously cleaned location as shown.

Important

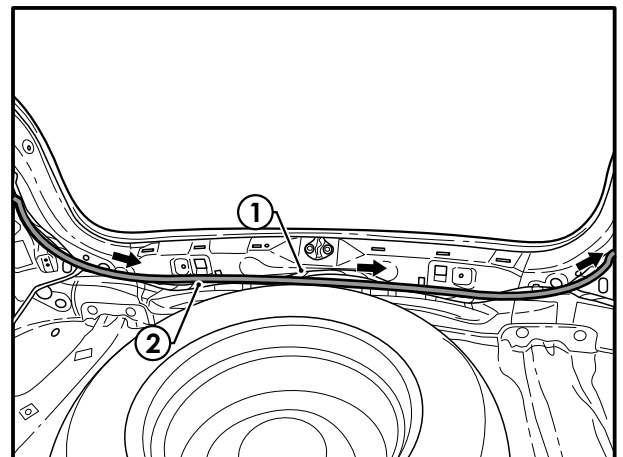


Always ensure the ECU is mounted with the 12-way connector facing downwards to avoid any chance of water ingress or condensation.



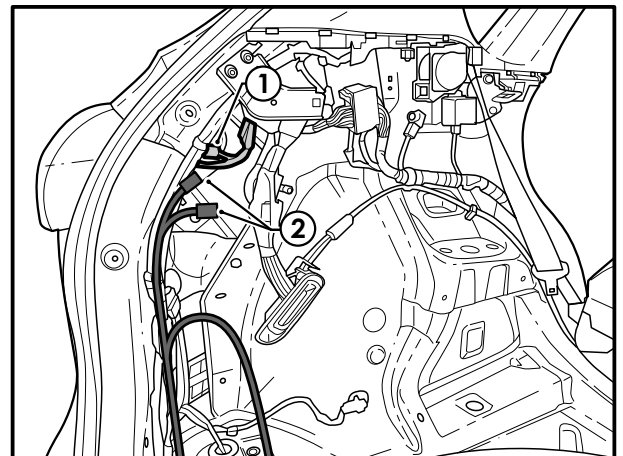
– Step 14

- Following the existing vehicle harness (1), route the trailer wiring harness (2) along the rear and towards the LHS of the vehicle.



– Step 15

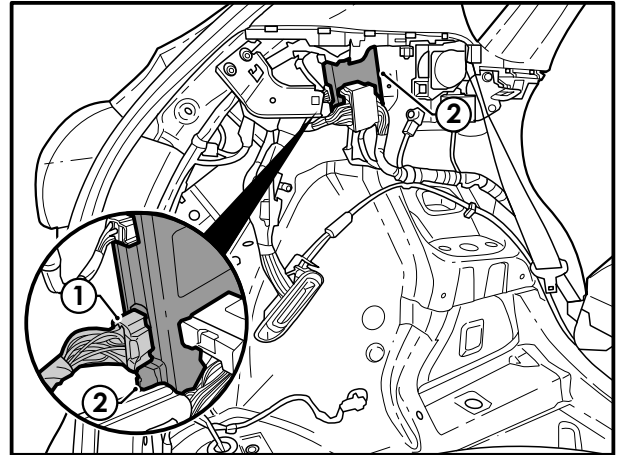
- Disconnect the LHS vehicle 3-way indicator lamp connector (1) and patch in the trailer wiring harness mating patch connectors (2).





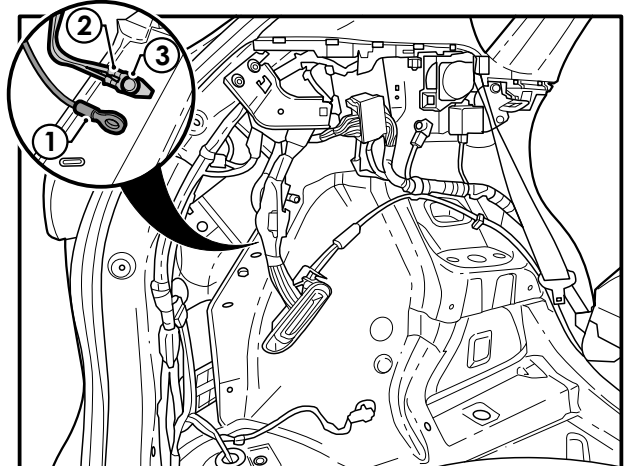
– Step 16

- Disconnect the vehicle 'BLUE' 18-way connector (1) from the rear BCM (2).
- Connect the trailer wiring harness 18-way patch connectors (3) in between the 'BLUE' vehicle connector (1) and the rear BCM (2).



– Step 17

- Secure the trailer wiring harness ground ring terminal (1) to the vehicle earth point (2) using the existing fastener (3).

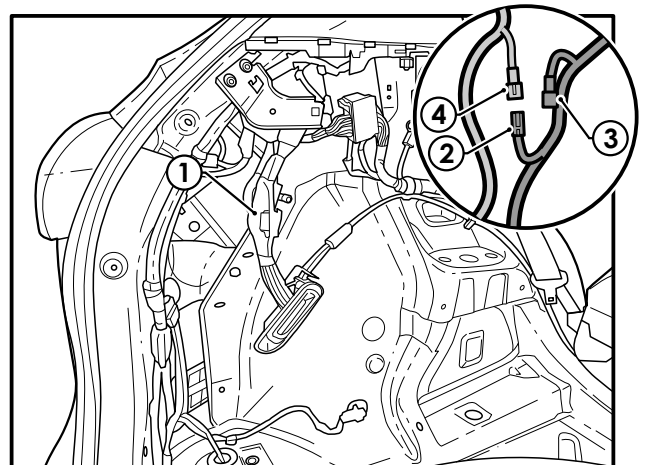


– Step 18

If the vehicle is not fitted or being fitted with a Reverse Park Assist system, proceed to Step 19.

If the vehicle is fitted or being fitted with a Reverse Park Assist system, continue:

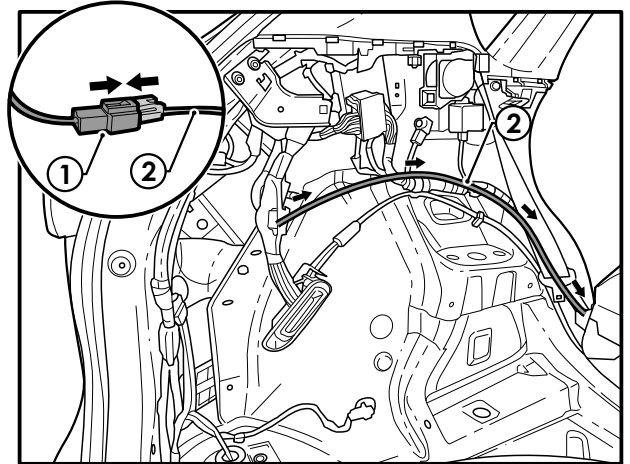
- On the RPA patch harness (1), disconnect the 1-way connectors (2) & (3).
- Connect the male 1-way connector (1) to the 1-way female reed switch connector (4) located on the trailer wiring harness (5).
- Tape back the unused 1-way female connector (3) onto the RPA patch harness.





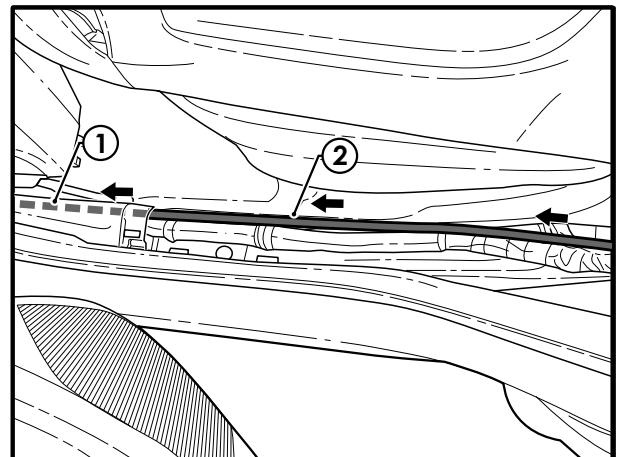
– Step 19

- Connect the trailer wiring harness 1-way connector **(1)** to the power harness **(2)** mating 1-way connector.
- Route the power harness **(2)** along the LHS of the luggage compartment towards the front of the vehicle.



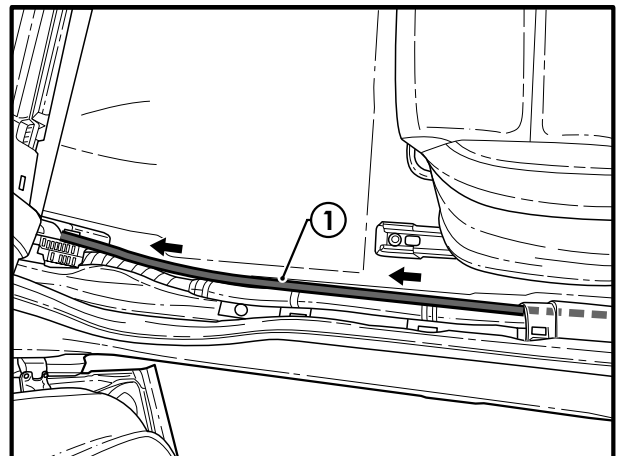
– Step 20

- Dislodge the LHS 'B' pillar trim **(1)**.
- Following the vehicle main harness, route the power harness **(2)** along the LHS and towards the front of the vehicle.



– Step 21

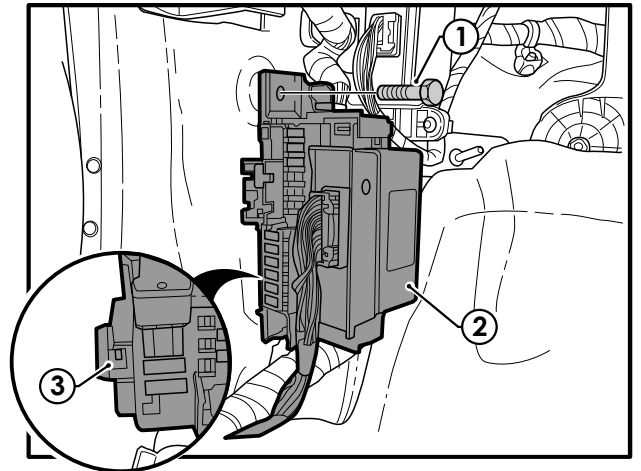
- Continue routing the power harness **(1)** along the LHS and towards the fuse panel.





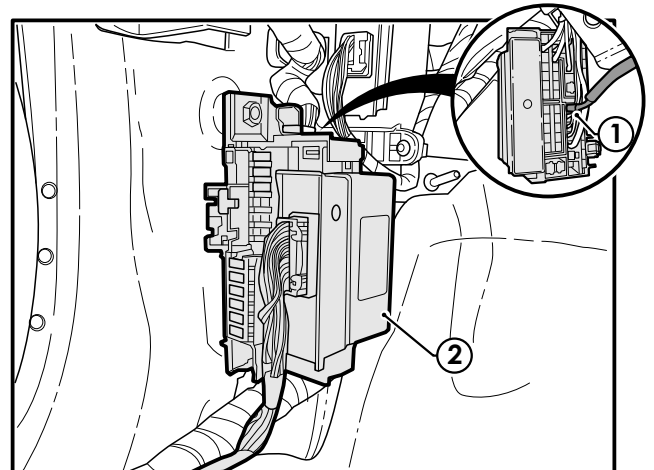
– Step 22

- In the LHS foot well, remove the 10mm bolt (1) from the fuse panel (2).
- Using a flat blade screwdriver, dislodge the clip (3) at the base of the fuse panel (2) to gain access to the rear of the fuse panel (2).



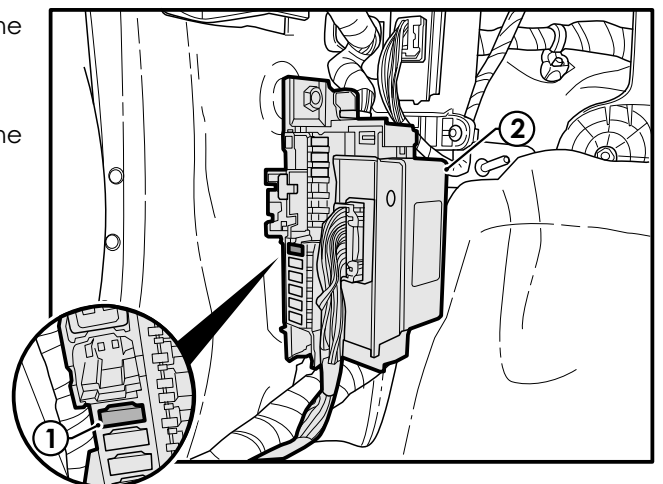
– Step 23

- House the power harness male terminal (1) into the rear of the fuse panel (2) in the position shown.



– Step 24

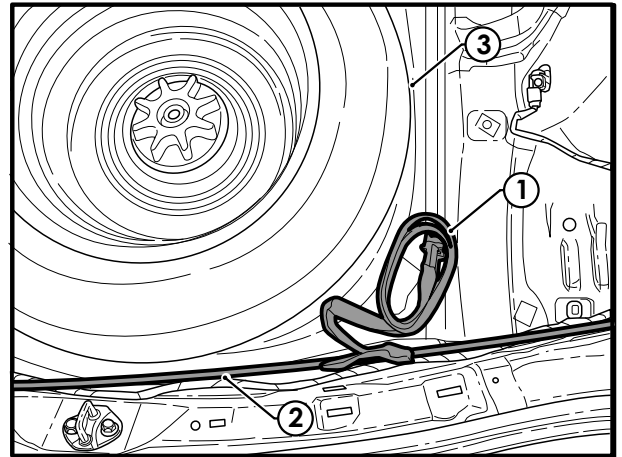
- Insert the supplied 20-amp fuse (1) into the fuse panel (2) in the position shown.
- Re-fit and fasten the fuse (1) panel to the vehicle.
- Using the supplied cable ties, secure the power harness to the existing vehicle harness along the LHS of the vehicle.





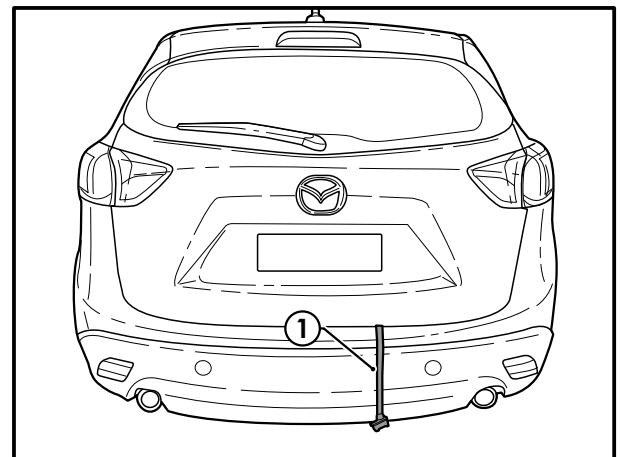
– Step 25

- Bundle the trailer socket (1) end of the trailer harness (2) together and place it in the rear floor compartment, next to the spare wheel (3).
- Using the supplied cable ties, secure the trailer harness (2) to any existing vehicle harnesses and/or metal fixtures across the rear of the vehicle.
- If no existing vehicle harness is available to fasten to, use the supplied cable tie mounts, ensuring to clean the vehicle sheet metal area with the supplied cleaning pad prior to adhering.



– Step 26

- Reconnect the engine bay negative battery terminal.
- Test the operation of the Trailer Wiring Harness using trailer wiring test lights or a multi meter to ensure correct operation.
- Dispose of any parts not used from the fitment.
- When using the trailer harness (1), the length will vary depending on the trailer being used. Ensure there is enough slack in the trailer harness while connecting the trailer so that the trailer harness is neither too tight; causing stress on the wiring, or too loose; allowing the harness to touch the ground.
- When the trailer harness (1) is not in use, neatly bundle and place in the rear floor compartment.



Important



Secure all harnesses to the vehicle using the supplied cable ties. Refit all removed parts and secure all fasteners to Service Manual torque specifications.

Important



Reprogram all radio stations and clock settings by referring to the vehicle's Workshop Manual.



Please place the Installation Manual in the glove box after the installation is completed.