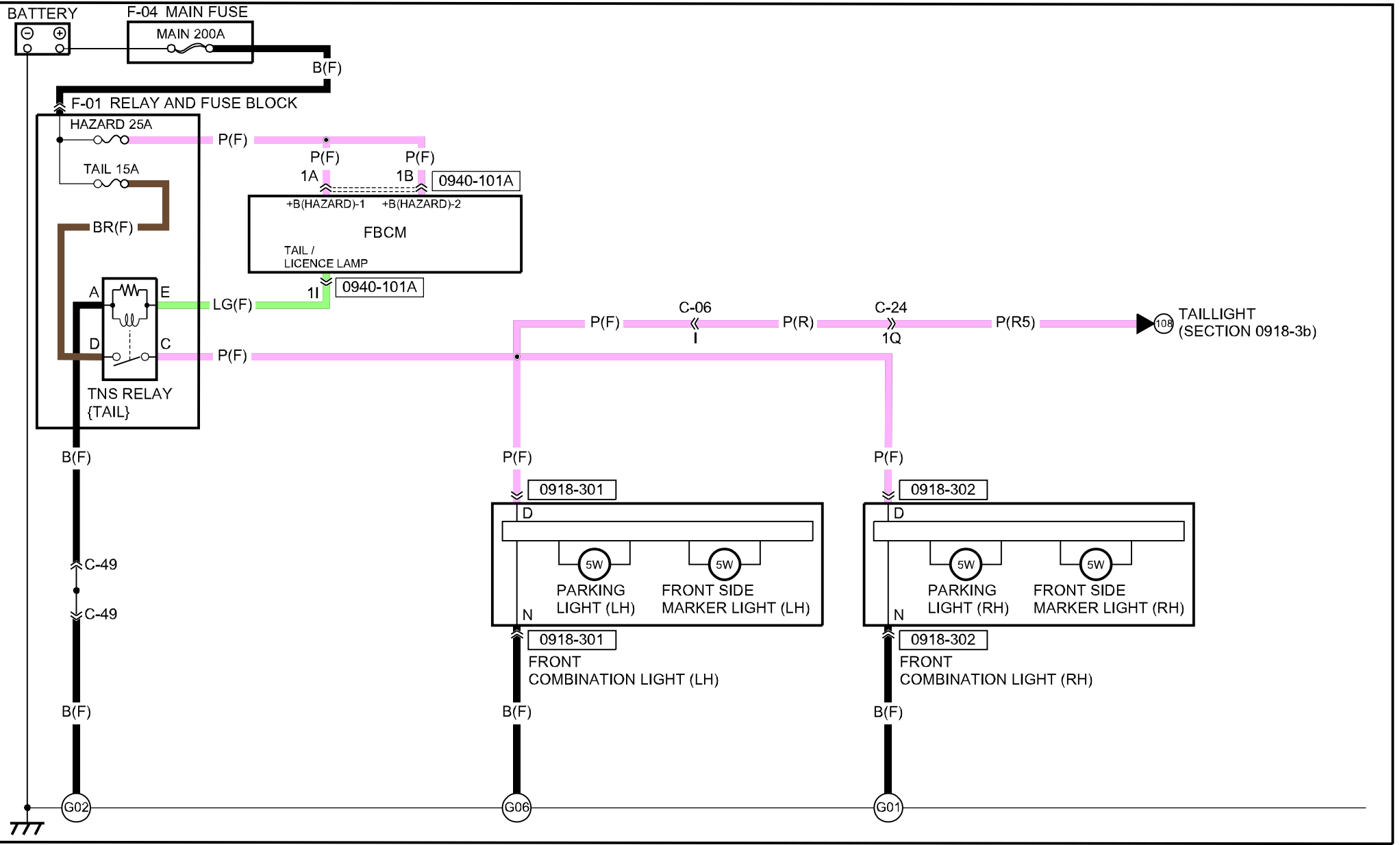


2018 Mazda CX-5
 LICENSE PLATE LIGHT / PARKING LIGHT / SIDE MARKER LIGHT / TAILLIGHT

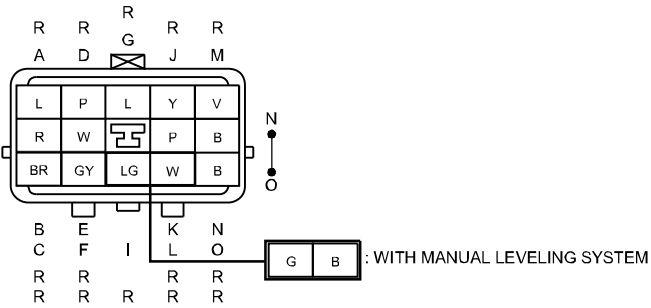
0918-3a



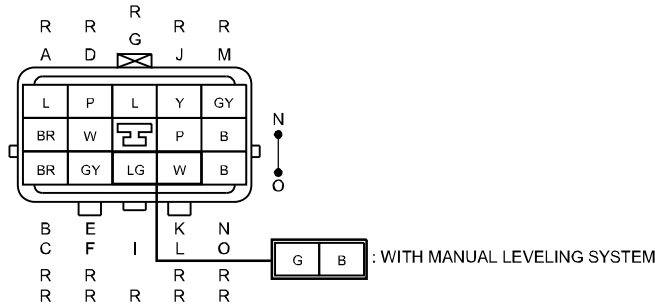
2018 Mazda CX-5
 LICENSE PLATE LIGHT / PARKING LIGHT / SIDE MARKER LIGHT / TAILLIGHT

0918-3a

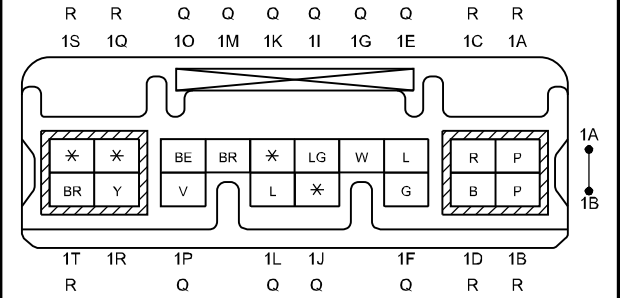
0918-301
 FRONT COMBINATION LIGHT (LH) /
 HEADLIGHT LEVELING ACTUATOR (LH)



0918-302
 FRONT COMBINATION LIGHT (RH) /
 HEADLIGHT LEVELING ACTUATOR (RH)

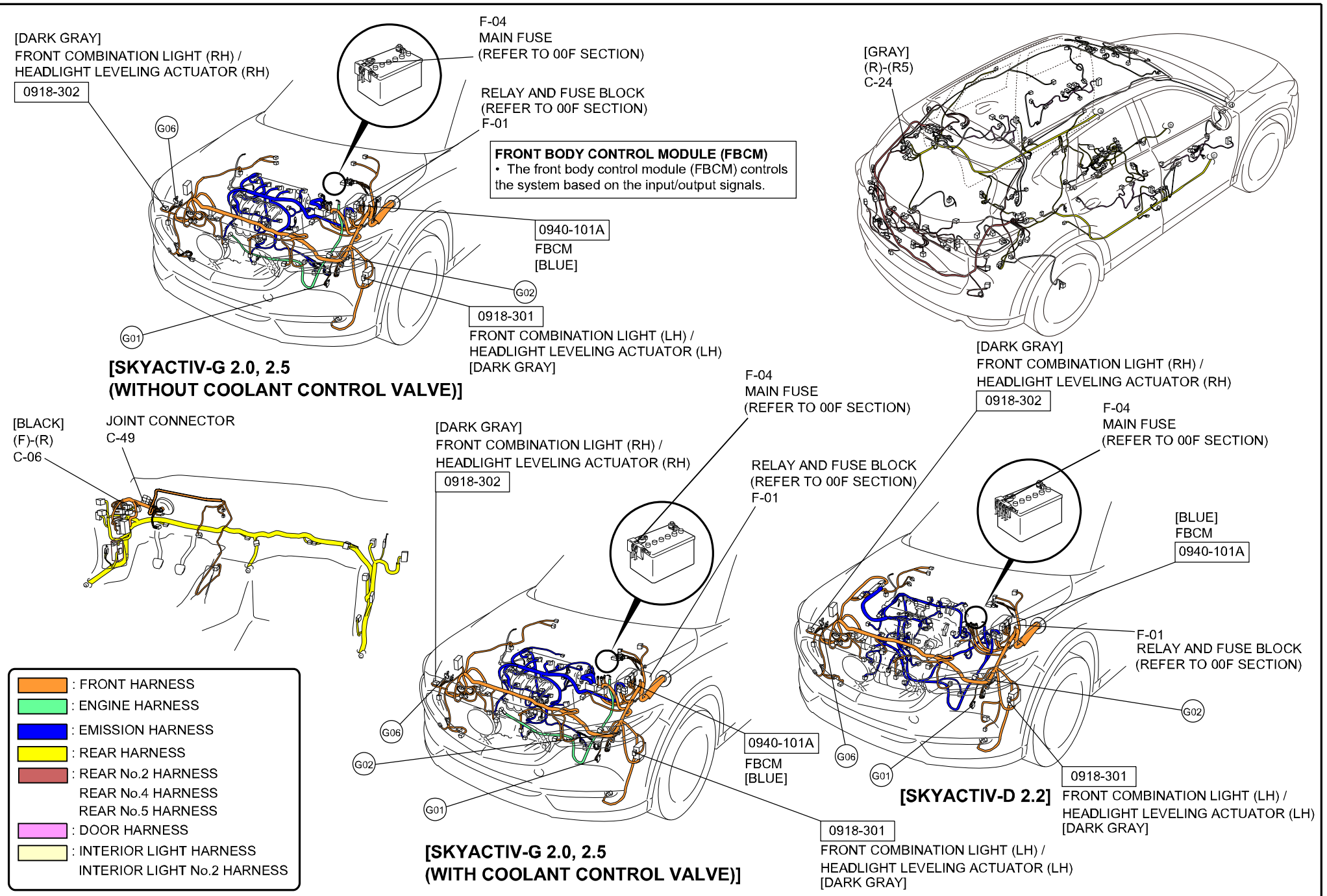


0940-101A
 FBCM



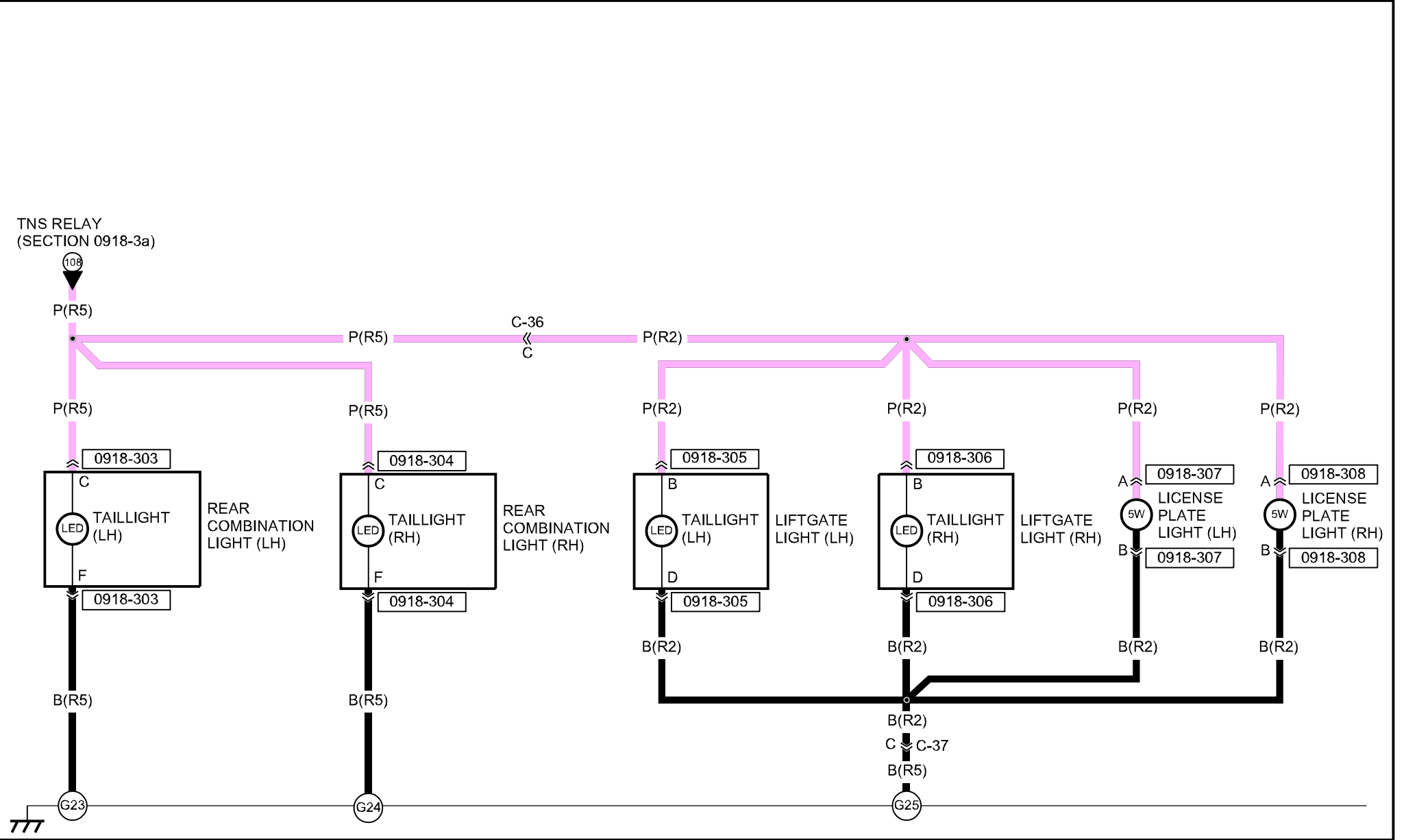
Front body control module (FBCM) terminal voltage table (reference)

Terminal	Measurement conditions	Voltage (V)
1A	Under any condition	B+
1B	Under any condition	B+
1I	Light switch at TNS position	B+
	Light switch at OFF position	1.0 or less



2018 Mazda CX-5
 LICENSE PLATE LIGHT / PARKING LIGHT / SIDE MARKER LIGHT / TAILLIGHT

0918-3b



2018 Mazda CX-5

LICENSE PLATE LIGHT / PARKING LIGHT / SIDE MARKER LIGHT / TAILLIGHT

0918-3b

<p>0918-303 REAR COMBINATION LIGHT (LH)</p>	<p>0918-305 LIFTGATE LIGHT (LH)</p>	<p>0918-306 LIFTGATE LIGHT (RH)</p>	<p>0918-307 LICENSE PLATE LIGHT (LH)</p>	<p>0918-308 LICENSE PLATE LIGHT (RH)</p>	
<p>0918-304 REAR COMBINATION LIGHT (RH)</p>					

