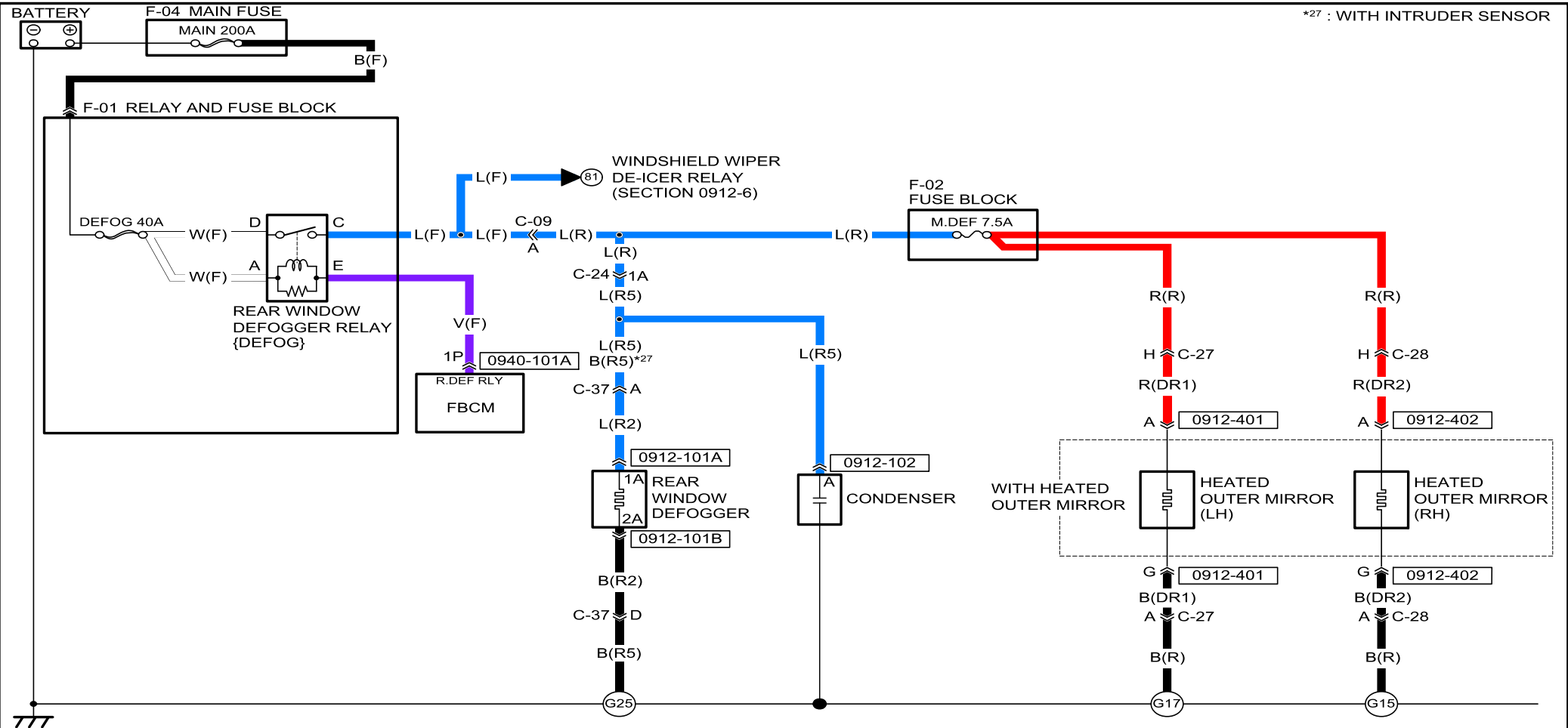


# REAR WINDOW DEFOGGER (INCLUDES HEATED OUTER MIRROR INFORMATION)

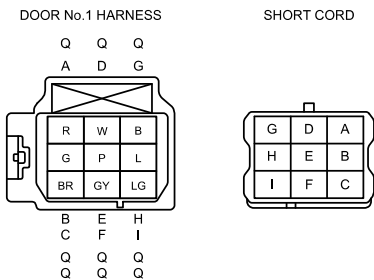
0912-1

\*27 : WITH INTRUDER SENSOR



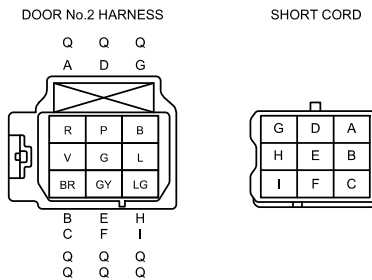
0912-101A  
REAR WINDOW DEFOGGER

0912-401  
HEATED OUTER MIRROR (LH) /  
POWER OUTER MIRROR (LH) /  
DOOR No.1 HARNESS-SHORT CORD /  
BLIND SPOT MONITORING (BSM) WARNING LIGHT (LH)



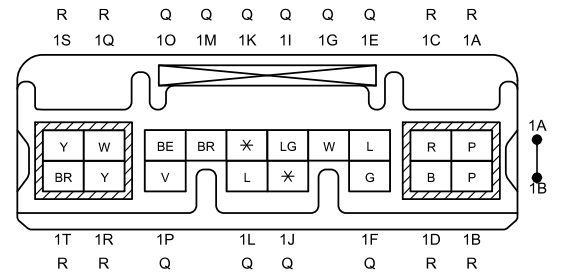
0912-101B  
REAR WINDOW DEFOGGER

0912-402  
HEATED OUTER MIRROR (RH) /  
POWER OUTER MIRROR (RH) /  
DOOR No.2 HARNESS-SHORT CORD /  
BLIND SPOT MONITORING (BSM) WARNING LIGHT (RH)



0912-102  
CONDENSER

0940-101A  
FBCM



Refer to 00F section for the FUSE BOX, 00C section for the PCM CONNECTOR and COMMON CONNECTOR LIST.

