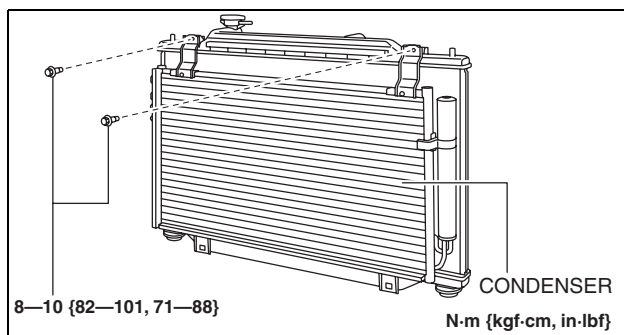


## COOLING SYSTEM [SKYACTIV-G 2.0]

5. Remove the two bolts (upper side) which secure the condenser to the radiator.
6. Remove the radiator from above the engine compartment.



ac5wzw0000266

## THERMOSTAT REMOVAL/INSTALLATION [SKYACTIV-G 2.0]

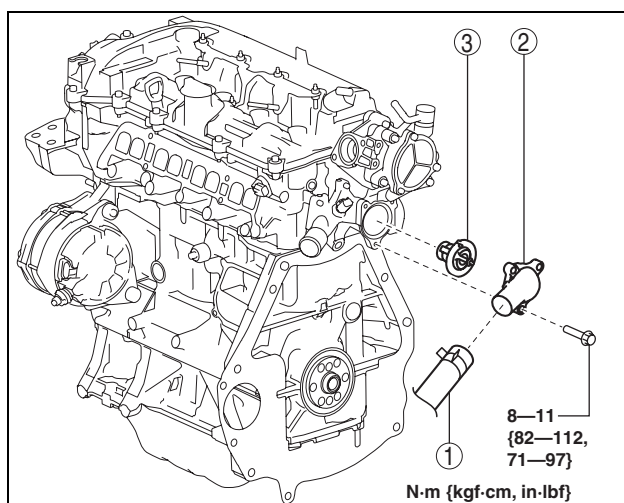
id0112h4801200

**Warning**

- Never remove the cooling system cap or loosen the radiator drain plug while the engine is running, or when the engine and radiator are hot. Scalding engine coolant and steam may shoot out and cause serious injury. It may also damage the engine and cooling system.
- Turn off the engine and wait until it is cool. Even then, be very careful when removing the cap. Wrap a thick cloth around it and slowly turn it counterclockwise to the first stop. Step back while the pressure escapes.
- When you are sure all the pressure is gone, press down on the cap using the cloth, turn it, and remove it.

1. Disconnect the negative battery cable. (See 01-17A-11 NEGATIVE BATTERY CABLE DISCONNECTION/ CONNECTION [SKYACTIV-G 2.0].) (See 01-17A-13 NEGATIVE BATTERY CABLE DISCONNECTION/ CONNECTION [SKYACTIV-G 2.0 (WITHOUT i-stop)].)
2. Drain the engine coolant. (See 01-12A-4 ENGINE COOLANT REPLACEMENT [SKYACTIV-G 2.0].)
3. Remove the plug hole plate. (See 01-10A-6 PLUG HOLE PLATE REMOVAL/INSTALLATION [SKYACTIV-G 2.0].)
4. Remove the air cleaner, air hose and fresh air duct component. (See 01-13A-6 INTAKE-AIR SYSTEM REMOVAL/INSTALLATION [SKYACTIV-G 2.0].)
5. Remove the battery, battery tray and PCM component. (See 01-17A-3 BATTERY REMOVAL/INSTALLATION [SKYACTIV-G 2.0].)
6. Remove in the order indicated in the table.
7. Install in the reverse order of removal.
8. Refill the engine coolant. (See 01-12A-4 ENGINE COOLANT REPLACEMENT [SKYACTIV-G 2.0].)
9. Inspect for engine coolant leakage. (See 01-12A-7 ENGINE COOLANT LEAKAGE INSPECTION [SKYACTIV-G 2.0].)

1	Lower radiator hose (Thermostat cover side)
2	Thermostat cover (See 01-12A-13 Thermostat Cover Removal Note.)
3	Thermostat (See 01-12A-13 Thermostat Installation Note.)



am3uuw0000894